

Slow juicer

Wyciskarka do soków wolnoobrotowa

221044



User manual | Gebrauchsanweisung | Gebruiksaanwijzing | Instrukcja obsługi | Mode d'emploi
Istruzioni per l'utente | Instrucțiunile utilizatorului | Руководство по эксплуатации

You should read this user manual carefully before using the appliance.

Bevor Sie das Gerät in Betrieb nehmen, sollten Sie diese Gebrauchsanweisung aufmerksam lesen.

Alvorens de apparatuur in gebruik te nemen dient u deze gebruiksaanwijzing aandachtig te lezen.

Przed uruchomieniem urządzenia należy koniecznie dokładnie przeczytać niniejszą instrukcję obsługi.

Lisez attentivement ce mode d'emploi avant d'utiliser l'appareil.

Prima di utilizzare l'apparecchio in funzione leggere attentamente le istruzioni per l'uso.

Citiți cu atenție prezentul manual de utilizare înainte de folosirea aparatului.

Внимательно прочитайте руководство пользователя перед использованием прибора.



Keep this manual with the appliance.
Diese Gebrauchsanweisung bitte beim Gerät aufbewahren.
Bewaar deze handleiding bij het apparaat.
Zachowaj instrukcję urządzenia.
Gardez ces instructions avec cet appareil.
Conservate le istruzioni insieme all'apparecchio.
Păstrați manualul de utilizare alături de aparat.
Хранить руководство вместе с устройством.



For indoor use only.
Nur zur Verwendung im Innenbereich.
Alleen voor gebruik binnenshuis.
Do użytku wewnątrz pomieszczeń.
Pour l'usage à l'intérieur seulement.
Destinato solo all'uso domestico.
Numai pentru uz casnic.
Использовать только в помещениях.



CONTENTS

1. THE SLOW JUICING DIFFERENCE	3
2. SAFETY REGULATIONS	3
3. TECHNICAL DATA	6
4. SLOW JUICER COMPONENTS	6
5. OPERATION	7
6. USING THE SLOW JUICER	9
7. SLOW JUICING TIPS	10
8. CLEANING	10
9. TROUBLE SHOOTING	11
10. WARRANTY.....	12
11. DISCARDING & ENVIRONMENT	12



Dear Customer,

Thank you for purchasing this HENDI appliance. Please read this manual carefully before connecting the appliance in order to prevent damage due to incorrect use. Read the safety regulations in particular very carefully.

1. THE SLOW JUICING DIFFERENCE

Slow Juicing allows you to consume more fruits and vegetables in one glass than you could eat at one time. There is no oxidation or separation in slow juicing, so it preserves more of the organic nutrients from the food and keeps it closer to its natural state. Fresh juice from a slow juicer is absorbed directly into the body, allowing the intake of important vitamins and nutrients from your food - your body receives everything it needs for optimum health. In addition, you can create a wide variety of juice recipes to enjoy from fruits and vegetables you may not normally enjoy eating whole.

The Slow Juicer uses a 2-step process in which the juice is extracted from the fruit or vegetable twice before it enters your glass. The auger, the main component of the unit, precisely squeezes the food without shredding or grinding it, helping you to get more juice in your glass.

The Slow Juicer produces fresh and healthy juice that's packed with more vitamins and nutrients needed for everyday living. In addition, the Slow Juicer uses less energy, saving you money and helping to lower your carbon footprint. One glass and you'll experience first-hand the difference between store-bought juice and fresh, healthy goodness.

2. SAFETY REGULATIONS

- The appliance must only be used for the purpose for which it was intended and designed. The manufacturer is not liable for any damage caused by incorrect operation and improper use.
- Keep the appliance and electrical plug away from water and any other liquids. In the event that the appliance should fall into water, immediately remove plug from the socket and do not use until the appliance has been checked by a certified technician. Failure to follow these instructions could cause a risk to lives.
- Never attempt to open the casing of the appliance yourself.
- Do not insert any objects in the casing of the appliance.
- Do not touch the plug with wet or damp hands.
- **Danger of electric shock!** Do not attempt to repair the appliance yourself. In case of malfunctions, repairs are to be conducted by qualified personnel only.
- **Never use a damaged appliance!** Disconnect the appliance from the electrical outlet and contact the retailer if it is damaged.
- **Warning!** Do not immerse the electrical parts of the appliance in water or other

EN



liquids. Never hold the appliance under running water.

- Regularly check the power plug and cord for any damage. If the power plug or power cord is damaged, it must be replaced by a service agent or similarly qualified persons in order to avoid danger or injury.
- Make sure the cord does not come in contact with sharp or hot objects and keep it away from open fire. To pull the plug out of the socket, always pull on the plug and not on the cord.
- Ensure that the cord (or extension cord) is positioned so that it will not cause a trip hazard.
- Always keep an eye on the appliance when in use.
- **Warning!** As long as the plug is in the socket the appliance is connected to the power source.
- Turn off the appliance before pulling the plug out of the socket.
- Never carry the appliance by the cord.
- Do not use any extra devices that are not supplied along with the appliance.
- Only connect the appliance to an electrical outlet with the voltage and frequency mentioned on the appliance label.
- Connect the power plug to an easily accessible electrical outlet so that in case of emergency the appliance can be unplugged immediately. To completely switch off the appliance pull the power plug out of the electrical outlet.
- Always turn the appliance off before disconnecting the plug.
- Never use accessories other than those recommended by the manufacturer. Failure to do so could pose a safety risk to the user and could damage the appliance. Only use original parts and accessories.
- This appliance is not intended for use by persons (including children) with reduced physical, sensory or mental capabilities, or lack of experience and knowledge.
- This appliance must not be used by children under any circumstances.
- Keep the appliance and its cord out of reach of children.
- Always disconnect the appliance from the mains if it is left unattended or is not in use, and before assembly, disassembly or cleaning.
- Never leave the appliance unattended during use.
- Do not use the appliance to process excessively hard or fibrous foods (e. g. rhubarb).
- **Danger of burns!** Do not use the appliance during the cooking process, with boiling liquids or hot fat.
- **Danger of injury!** Care shall be taken when handling the sharp cutting blades, emptying the cutting tools and during cleaning.

- Switch off the appliance and disconnect from the supply before changing accessories/parts or approaching parts that move in use.
- Do not continuously operate the appliance for too long to avoid overheating the motor. The continuous operation time should not exceed 10 minutes. Let the appliance cool down if the appliance housing becomes too hot. Only operate the appliance again, after it has cooled.
- Keep fingers, hair, clothing and utensils away from all moving parts.
- Dry the appliance and all accessories/parts before connecting to the power supply and prior to attaching the accessories.
- Never use your fingers or an object (e.g. spatula) to push ingredients down the feed tube while the appliance is running. Only use the pusher for this purpose.
- Never use a spoon, a spatula or similar to remove ingredients during operation. In case, you have to remove something out of the feed tube, always switch off the appliance and unplug it before you do so.

Grounding Installation

This is a class I appliance. This appliance must be grounded. In the event of an electrical short circuit, grounding reduces the risk of electric shock by providing an escape wire for the electric current. This appliance is equipped with a cord having a grounding wire with a grounding plug. The plug must be plugged into an outlet that is properly installed and grounded.



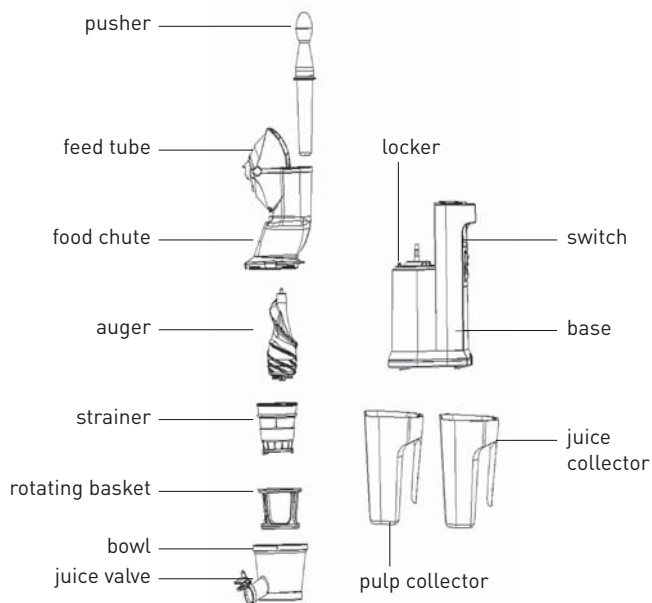
3. TECHNICAL DATA

Model	221044
Dimensions	260x175x(H)545 mm
Speed	45 RPM
Rated Power	250 W
Rated Frequency	50 Hz
Rated Voltage	220-240 V
Weight	7,2 kg
Protection class	Class I

The manufacturer and dealer is not liable for any inaccuracies due to printing errors or transcription, in this manual. In line with our policy of continuous improvement products, we reserve the

right to make modification of the product, packaging and specifications contained in the Documentation without prior notice.

4. SLOW JUICER COMPONENTS



5. OPERATION

The Slow Juicer is virtually assembled straight out of the box. We suggest taking it apart and washing the removable parts in warm water with non-abrasive liquid detergent before the first use. Rinse thoroughly with warm water and allow

to air dry. This will eliminate any traces of dust or residue from manufacturing or shipping. Never submerge the Slow Juicer motor base in water or any other liquid.

5.1 ASSEMBLY

I. Assemble the bowl to the base. (Figure 1)

- Make sure the bowl fits all the way into the shell of the base.
- Align the arrow on the bowl with the arrow on the base, twist clockwise slightly to lock. (Note: If the bowl is not completely locked onto the base, the machine will not start.)

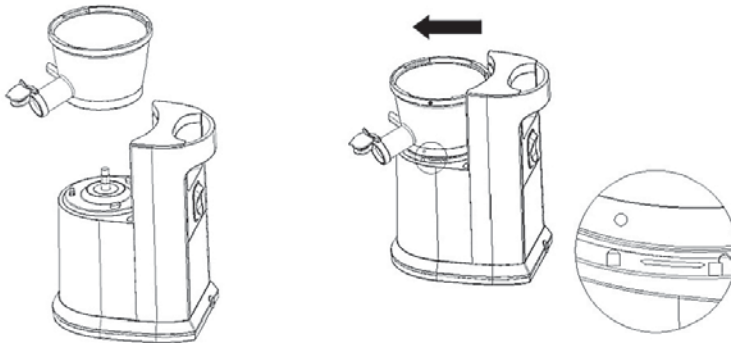


Fig. 1

II. Assemble the Strainer and Rotating Basket to the bowl. (Figure 2)

- Make sure the deep pit on the strainer basket lines up with the red dot on the bowl.

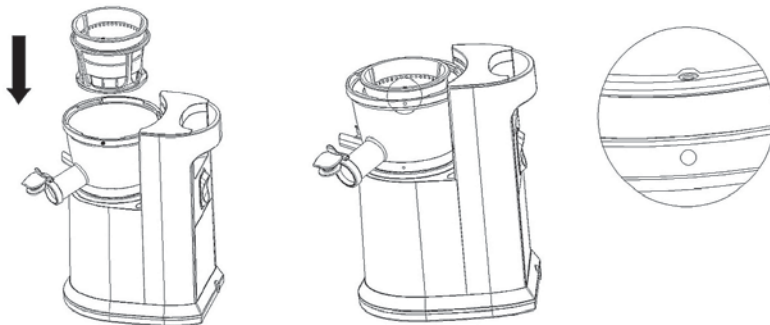


Fig. 2



III. Place the Auger in the center of the bowl. (Figure 3)

a. Twist the Auger clockwise until it drops into place.

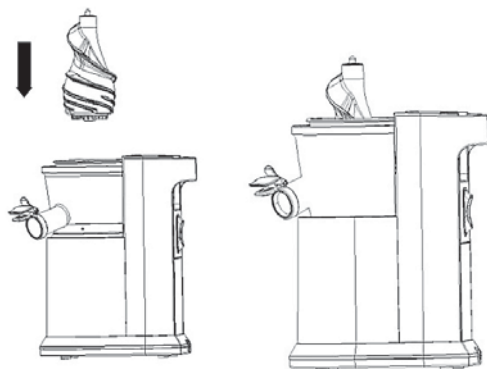


Fig. 3

IV. Place the Food Chute onto the bowl.

a. Make sure the tilt-out triangle of the Food Chute is aligned with the unlocked sign on the bowl. (Figure 4)

b. Turn the Food Chute clockwise until the lid clicks into the locked position.

(The arrow on the Food Chute will line up with word CLOSED on the motor base. (Figure 5)

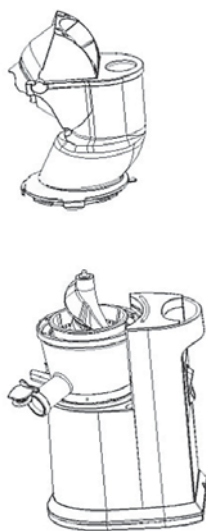


Fig. 4



Fig. 5

6. USING THE SLOW JUICER

1. Once all parts are securely in place, connect the power cord to an approved power source.
2. Place one of the collectors under the pulp ejector, and either a glass or the other collector under the juice spout.
3. The Slow Juicer has 3 settings (Figure 6)
 - a. ON - this starts the motor for juicing.
 - b. O - this stops operation.
 - c. R - this moves the Auger in the opposite direction.

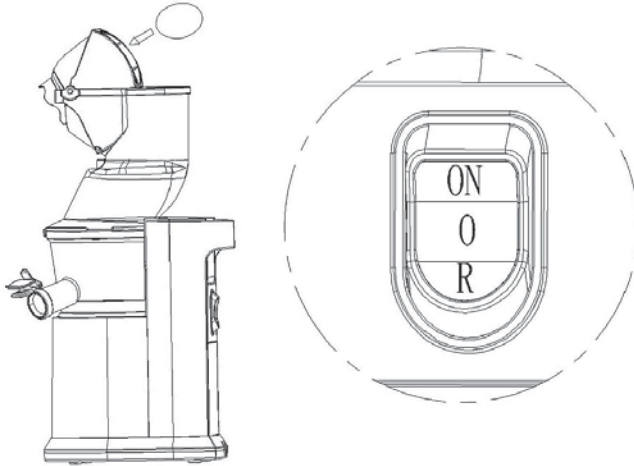


Fig. 6

4. Before placing food in the Slow Juicer, make sure all foods have been thoroughly washed, if food has to be peeled, there is no need to wash. Also make sure to cut all foods to an appropriate size so it easily fits into the Food Chute, we recommend no more than 3-inch pieces.
*Please make sure to remove any hard seeds or pits, such as cherry or plum pits, as it will not process in the juicer and can damage the Auger.
5. When placing any food in the Slow Juicer, the Auger will automatically pull in the food, and begin juicing immediately. **DO NOT push, force, or overstuff the unit.** The Pusher provided with the Slow Juicer is only to use when food obstructs the inside of the Food Chute.
6. It is best to insert all food at a slow pace, allowing all pulp to be extracted from the fruit or vegetable completely.
7. Reminder: turn off the Slow Juicer when juicing is complete. Do not run the Slow Juicer without any food inside the unit as this could overheat the motor.
8. The Slow Juicer has a unique cleaning process when switching between different types of juices. To clean, simply place one of the collectors under the juice spout and pour water through the Food Chute while the unit is on. This will rinse out most of the remaining residue from your last juicing. When the water from the slow juicer begins to run clear, that is an indication the unit is clean and ready to make a new juice recipe.

NOTE: This process is not an alternative to a complete cleaning of each disassembled part.



7. SLOW JUICING TIPS

Please read the instruction manual carefully and follow the below juicing suggestion for best results, as a slow juicer has different operating instructions than that of a traditional juicer.

- Carefully drop food into the Food Chute. The Slow Juicer Pusher provided is only for use if any food obstructs the inside of the Food Chute. Do not overstuff, shove or force the food down.
- Cut food into pieces that are no larger than 3-inches for best juicing results.
- For best results, insert foods slowly to allow pulp to be extracted, do not over stuff or rush the juicing process.
- Do not put any frozen fruit, vegetables or ice into

the unit.

- Combine leafy greens with a variety of fruit for the best results.

NOTE

At the bottom of the bowl, there is a silicone pad (Figure 7) that prevents juice from exiting through the pulp ejector. When using the Slow Juicer, make sure the silicone pad is closed in place. When cleaning the bowl, make sure to slide the pad out and run water through the pulp ejector to remove excess food debris.

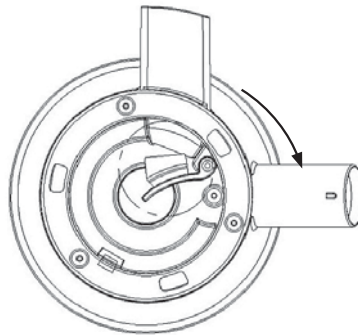


Fig. 7

8. CLEANING

1. Switch the machine off, and disconnect from power source.
2. Turn the Food Chute counterclockwise to unlock.
3. Twist the bowl counterclockwise to the unlock position and lift out the entire section.
4. Disassemble the upper unit in the following order:
 - a. Food Chute
 - b. Auger
 - c. Strainer
 - d. Rotating Basket
 - e. Bowl
5. Using the included Slow Juicer Cleaning Brush, thoroughly clean each of the disassembled parts using warm soapy water. Remember to move the silicone pad under the bowl to clean the remaining debris in the pulp ejector.

Please Note:

- a. Don't use an abrasive cloth or abrasive liquids.
- b. Do not rinse the Slow Juicer base or submerge the base in water.
- c. Dry all Slow Juicer attachments before reusing.

6. Hand washing is recommended for all components of the upper unit. Please do not place any of the Slow Juicer parts in the dishwasher.

8.1 FOR TOUGH STAINS

Because there are many powerful staining properties of the carotenoids that are found in many vegetables, especially carrots, we suggest using ONE of the following cleaning procedures:

1. Soak in mild soapy water.
2. Equal parts warm water to cider vinegar.
3. Soak in baking soda, ½ box, and warm water.
4. ½ cup bleach in a sink full of warm water.

8.2 OTHER CLEANING TIPS

- Never use strong household cleaners, ammonia or abrasives while cleaning the Slow Juicer.
- Cleaning the Slow Juicer immediately after each use will also help to reduce stains on the bowl or upper parts.

9. TROUBLE SHOOTING

PROBLEM	SOLUTION
Machine does not operate	<ul style="list-style-type: none">• Check power cord and power source.• Check that all parts have been assembled correctly.
Machine jams/ clogs or stops operating	<ul style="list-style-type: none">• Check food chute is clear and is not blocked.• Check that hard seeds have been removed before juicing and are not stuck in the machine.• Turn machine off, and switch to reverse for 3 seconds.• Disassemble upper section and clear remaining pulp.
Squeaking noise when juicing	<ul style="list-style-type: none">• Squeaking sound is perfectly normal. Please note to not run the juicer without any food.
Leaking from underneath the bowl	<ul style="list-style-type: none">• Be sure the silicone pad is tightly in place after cleaning.
Strainer Damage	<ul style="list-style-type: none">• Refer to operation instruction for proper usage and juicing tips. Remember not to over stuff food or force food in the slow juicer.
Too much pulp coming out	<ul style="list-style-type: none">• Cut food into smaller pieces, especially fibrous foods to avoid fibers scrapping around the Auger. Insert food at a slower pace and allow all food pulp to eject the unit before adding more.
Bowl is stuck and will not detach from the base	<ul style="list-style-type: none">• This is commonly caused by excess food in the bowl. Press reverse button 3-5 seconds. Repeat process 2-3 times. Then, push bowl upward while turning.
Food Chute/Lid is stuck	<ul style="list-style-type: none">• Press reverse button 3-5 seconds. Repeat process 2-3 times, you can then press down on top of lid while turning.



10. WARRANTY

Any defect affecting the functionality of the appliance which becomes apparent within one year after purchase will be repaired by free repair or replacement provided the appliance has been used and maintained in accordance with the instructions and has not been abused or misused in any way. Your statutory rights are not affected. If the appliance is claimed under warranty, state where and

when it was purchased and include proof of purchase (e.g. receipt).

In line with our policy of continuous product development we reserve the right to change the product, packaging and documentation specifications without notice.

11. DISCARDING & ENVIRONMENT

At the end of the life of the appliance, please dispose of the appliance according to the regulations and guidelines applicable at the time.

Throw packing materials like plastic and boxes in the appropriate containers.



INHALTSVERZEICHNIS

1. VORTEILE DES LANGSAMEN FRUCHTSAFTPRESSENS .	15
2. ALLGEMEINE SICHERHEITSVORSCHRIFTEN	15
3. TECHNISCHE DATEN.....	18
4. ELEMENTE DER FRUCHTSAFTPRESSE	
MIT NIEDRIGER DREHZAHL.....	19
5. INBETRIEBNAHME.....	19
6. BEDIENUNG DER FRUCHTSAFTPRESSE	
MIT NIEDRIGER DREHZAHL	22
7. RATSCHLÄGE	23
8. REINIGUNG.....	23
9. PROBLEMLÖSUNG	24
10. GARANTIE	25
11. ENTSORGUNG UND UMWELTSCHUTZ.....	25

Sehr geehrte Kundin, sehr geehrter Kunde,

wir danken Ihnen für den Kauf des Gerätes Hendi. Machen Sie sich bitte mit dieser Anleitung noch vor der Inbetriebnahme des Gerätes vertraut, um Schäden durch die unsachgemäße Bedienung zu vermeiden. Den Sicherheitsregeln ist besondere Aufmerksamkeit zu widmen.

1. VORTEILE DES LANGSAMEN FRUCHTSAFTPRESSENS

Ein Glas des langsam gepressten Saftes enthält mehr Obst und Gemüse als man auf einmal essen kann. Beim langsamen Auspressen erfolgt keine Oxidation bzw. Schichtung des Saftes; deshalb ist es möglich, mehr Nährstoffe aus den Lebensmitteln und aus ihrem natürlichen Zustand zu erhalten. Der frische Saft aus der Fruchtpresse mit niedriger Drehzahl wird direkt durch den Organismus aufgenommen und führt ihm wichtige Nährstoffe und Vitamine zu – der Organismus erhält alles, was für eine optimale Gesundheit notwendig ist. Man kann auch verschiedenartige Kompositionen aus Obst und Gemüse bilden, die man normalerweise nicht als Ganzes verbinden könnte. Die Fruchtpresse mit niedriger Drehzahl nutzt einen Prozess in 2 Etappen, in dem der Saft

zweifach aus dem Produkt gepresst wird, bevor er in das Glas kommt. Die Schneckenwelle, d.h. das Hauptelement des Gerätes, presst das Produkt präzise und ohne dass es zerrissen bzw. aufgerieben wird, so dass man mehr Saft gewinnt. Die Fruchtpresse mit niedriger Drehzahl erzeugt einen frischen, nahrhaften Saft mit einer größeren Menge an Nährstoffen und Vitaminen, die zum täglichen Funktionieren benötigt werden. Zusätzlich verbraucht diese Fruchtpresse mit niedriger Drehzahl weniger Energie, was eine Reduzierung der Kosten und des Ausstoßes von Kohlendioxid ermöglicht. Schon das erste Glas kann dazu führen, dass Sie den Unterschied zwischen einem im Laden gekauften Saft und einem frisch gepressten gesunden Saft spüren.

DE

2. ALLGEMEINE SICHERHEITSVORSCHRIFTEN

- Das vorliegende Gerät darf ausschließlich im Haushalt verwendet werden und ist nicht für den gewerblichen Gebrauch bestimmt.
- Das Gerät ist ausschließlich zu dem Zweck zu benutzen, zu dem es hergestellt wurde. Der Hersteller haftet nicht für Schäden, die auf unsachgemäße Bedienung des Geräts zurückzuführen sind.
- Den Kontakt des Gerätes und des Steckers mit Wasser oder einer anderen Flüssigkeit vermeiden. Den Stecker unverzüglich aus dem Stecker ziehen und das Gerät von einem anerkannten Fachmann prüfen lassen, wenn das Gerät unbeabsichtigt ins Wasser fällt. Bei Nichteinhaltung dieser Sicherheitsvorschriften besteht Lebensgefahr.
- Nie eigenständig das Gehäuse des Gerätes zu öffnen versuchen.
- In das Gehäuse des Gerätes keine Gegenstände einführen.
- Den Stecker nicht mit nassen oder feuchten Händen berühren.
- **Gefahr eines Stromschlags!** Das Gerät darf nicht selbstständig repariert werden. Sämtliche Mängel und Unzulänglichkeiten sind ausschließlich durch qualifiziertes



Personal zu beseitigen.

- **Niemals ein beschädigtes Gerät benutzen!** Das beschädigte Gerät vom Netz trennen und sich mit dem Verkäufer in Verbindung setzen.
- **Warnung:** Die Elektroteile des Gerätes dürfen weder in Wasser noch in andere Flüssigkeiten getaucht werden. Ebenso ist das Gerät nicht unter fließendes Wasser zu halten.
- Der Stecker und die Stromversorgungsleitung sind regelmäßig auf Beschädigungen zu prüfen. Der beschädigte Stecker oder Leitung sind an eine Servicestelle oder einer anderen qualifizierten Person zur Reparatur zu übergeben, um eventuellen Gefahren und Verletzungen des Körpers vorzubeugen.
- Man muss sich davon überzeugen, ob die Stromversorgungsleitung weder mit scharfkantigen noch mit heißen Gegenständen in Berührung kommt; halten Sie die Leitung weit entfernt von einer offenen Flamme. Um den Stecker aus der Netzsteckdose zu nehmen, muss man immer am Stecker und nicht an der Leitung ziehen.
- Die Stromversorgungsleitung (oder Verlängerungsleitung) ist vor dem zufälligen Herausziehen aus der Steckdose zu schützen. Die Stromversorgungsleitung muss so geführt werden, dass niemand zufällig darüber stolpern kann.
- Das Gerät muss während seiner Anwendung ständig kontrolliert werden.
- **Warnung!** Wenn der Stecker in der Netzsteckdose ist, muss man das Gerät als an die Stromversorgung angeschlossen betrachten.
- Bevor der Stecker aus der Netzsteckdose genommen wird, ist das Gerät auszuschalten.
- Das Gerät darf beim Tragen nicht an der Leitung gehalten werden.
- Benutzen Sie kein Zubehör, das nicht mit diesem Gerät mitgeliefert wurde.
- Das Gerät muss man ausschließlich an die Steckdose mit solch einer Spannung und Frequenz anschließen, wie auf dem Typenschild angegeben wird.
- Stecken Sie den Stecker in die Steckdose, die an einem leicht und bequem zugänglichen Ort angeordnet ist, und zwar so, dass das Gerät bei einer Störung sofort abgeschaltet werden kann. Um das Gerät vollständig auszuschalten, muss man es von der Stromquelle trennen. Zu diesem Zweck muss man den Stecker, der sich am Ende der vom Gerät getrennten Leitung befindetet, aus der Netzsteckdose ziehen.
- Vor dem Abtrennen des Steckers ist das Gerät auszuschalten!

- Benutzen Sie kein Zubehör, das nicht vom Hersteller empfohlen wird. Die Anwendung vom nicht empfohlenen Zubehör stellt eine Gefahr für den Nutzer dar und kann zur Beschädigung des Gerätes führen. Benutzen Sie ausschließlich Ersatzteile und Zubehör im Original.
- Dieses Gerät eignet sich nicht für den Gebrauch durch Personen (gilt auch für Kinder) mit geringerer Motorik, Sensorik oder geistiger Fähigkeit oder mangelhafter Erfahrung und Wissen.
- Auf keinen Fall darf das Bedienen des Gerätes durch Kinder zugelassen werden.
- Das Gerät mit Stromversorgungsleitung ist außerhalb der Reichweite von Kindern zu lagern.
- Ebenso muss dafür gesorgt werden, dass die Kinder das Gerät nicht zum Spielen benutzen.
- Das Gerät ist immer dann von der Stromversorgung zu trennen, wenn es ohne Aufsicht bleiben soll bzw. auch vor der Montage, Demontage und Reinigung.
- Während der Nutzung darf das Gerät nicht ohne Aufsicht gelassen werden.
- Verwenden Sie das Gerät nicht zur Verarbeitung von zu sehr harten oder faserigen Lebensmitteln (z.B. Rhabarber).
- Es besteht die Verbrennungsgefahr! Verwenden Sie das Gerät nicht zur Verarbeitung von gekochten Lebensmitteln, siedenden Flüssigkeiten sowie einem heißen Fett.
- Es besteht die Verletzungsgefahr! Seien Sie vorsichtig, wenn Sie scharfe Schneidmesser bedienen sowie das Gerät und seine Schneidelemente reinigen.
- Das Gerät ist vor dem Austausch von Zubehör/Teilen oder beweglichen Elementen auszuschalten und von der Stromversorgung zu trennen.
- Verwenden Sie nicht das Gerät im Dauerbetrieb über eine längere Zeit, um so die Überhitzung des Motors zu vermeiden. Der Dauerbetrieb darf nicht 10 Minuten überschreiten. Wenn das Gehäuse zu heiß ist, muss man abwarten, bis das Gerät völlig abgekühlt ist. Verwenden Sie das Gerät wieder nach seinem Abkühlen.
- Halten Sie ihre Finger, Haare, Kleidung und Werkzeuge von beweglichen Elementen des Geräts fern.
- Lassen Sie das Gerät und sämtliches Zubehör vor dem Anschluss an die Stromversorgung sowie vor dem Einbau des Zubehörs trocknen.
- Verschieben Sie die Zutaten weder mit den Fingern noch mit den Gegenständen (z.B. Küchenschaufel) im Zuführungsrohr des betriebenen Geräts. Zu diesem Zweck ist nur der Stopfer zu verwenden.
- Verwenden Sie keinen Löffel, keine Schaufel und kein anderes Werkzeug, um die Zutaten beim Betrieb des Geräts zu entfernen. Schalten Sie immer das Gerät aus und ziehen Sie den Stecker aus der Steckdose, wenn etwas aus dem Zuführungsrohr entfernt werden muss.



Erdung

Das ist ein Gerät der I. Schutzklasse, das die Erdung erfordert. Beim Kurzschluss verringert die Erdung durch die Anwendung eines Stromkabels das Risiko eines elektrischen Stromschlags. Das Gerät ist mit einer Erdungsleitung mit einem Erdungsstecker ausgerüstet. Der Stecker muss an die Steckdose angeschlossen werden, die richtig installiert und geerdet wird.

NACHFOLGENDE ANWEIDUNG AUFBEWAHREN

3. TECHNISCHE DATEN

Modell	221044
Abmessungen	260x175x(H)545 mm
Drehzahl	45 Umdreh./Min.
Leistung	250 W
Frequenz	50 Hz
Spannung	220-240 V
Gewicht	7,2 kg (Netto)
Schutzklasse	Klasse I

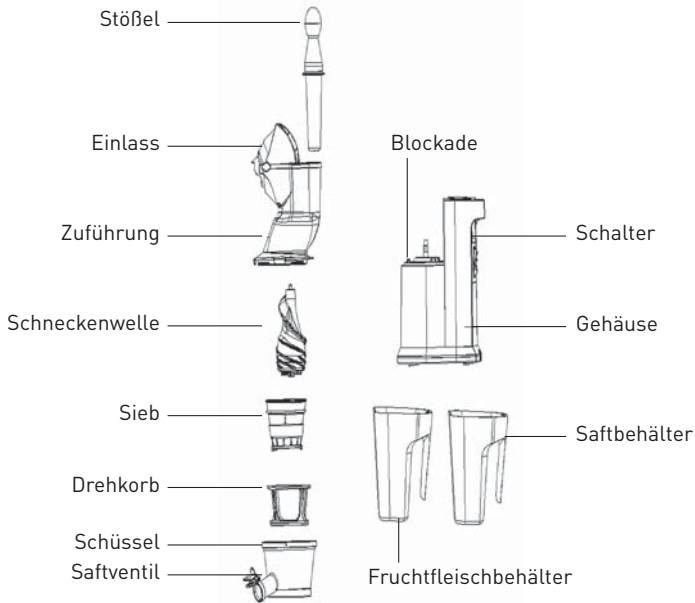
DE

Der Hersteller und Verkäufer tragen keine Verantwortung für irgendwelche Unstimmigkeiten, die sich aus den in der vorliegenden Anleitung auftretenden Druckfehlern und Transkriptionen ergeben. Gemäß unserer Politik in Bezug auf die

Weiterentwicklung der Produkte behalten wir uns das Recht vor, die Änderungen an dem Produkt, der Verpackung und den in der Dokumentation enthaltenen Spezifikationen ohne Vorankündigung vorzunehmen.



4. ELEMENTE DER FRUCHTSAFTPRESSE MIT NIEDRIGER DREHZAHL



DE

5. INBETRIEBNAHME

Die Fruchtpresse mit niedriger Drehzahl wird im kompletten Zustand angeliefert. Vor dem ersten Gebrauch empfehlen wir die Demontage des Gerätes und das Waschen der abnehmbaren Teile im warmen Wasser mit milden Reinigungsmitteln. Genau im warmen Wasser abspülen und

trocknen lassen. Dadurch wird eine eventuelle Verschmutzung, die in der Fabrik oder während des Transports entstanden ist, beseitigt. Das Gehäuse der Fruchtpresse darf niemals in Wasser oder auch in eine andere Flüssigkeit getaucht werden.

5.1 MONTAGE

I. Die Schüssel in das Gehäuse einsetzen. (Abbildung 1)

- Überzeugen Sie sich, ob die Schüssel richtig an das Gehäuse anliegt.
- Drehen Sie die Schüssel im Uhrzeigersinn so, dass sich der Pfeil auf der Schüssel an der glei-

chen Stelle wie der Pfeil auf dem Gehäuse befindet. (Hinweis: Wenn die Schüssel im Gehäuse nicht richtig eingesetzt ist, dann kann das Gerät nicht in Betrieb genommen werden).



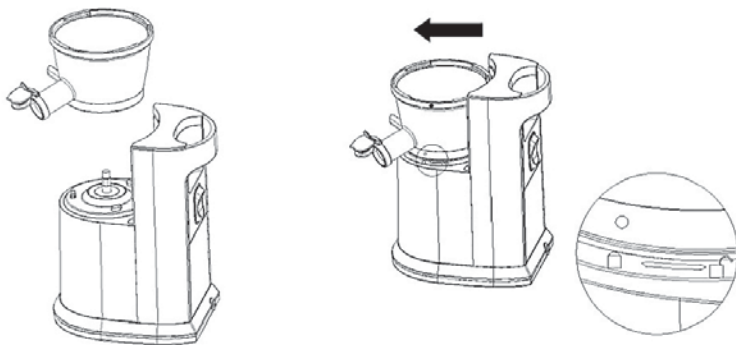


Abb. 1

II. Sieb und Drehkorb in die Schüssel einsetzen. (Abbildung 2)

- a. Überzeugen Sie sich, ob sich die Vertiefung des Siebes in einer Linie mit dem roten Punkt auf der Schüssel befindet.

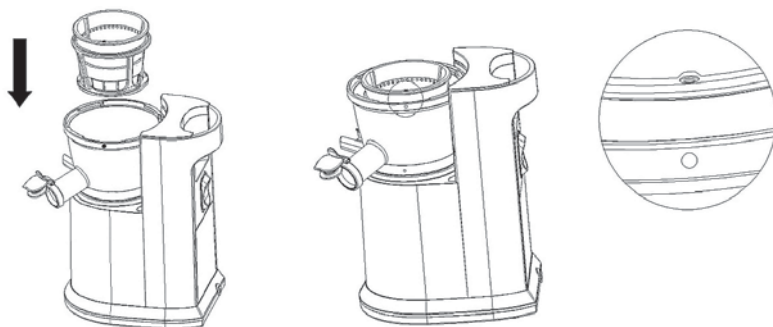


Abb. 2

III. Die Schneckenwelle in der Mitte der Schüssel anordnen. (Abbildung 3)

- a. Die Welle ist im Uhrzeigersinn so zu drehen, bis sie an die richtige Stelle springt.

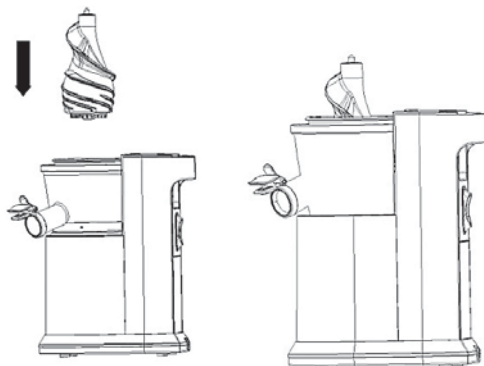


Abb. 3

IV. Zuführung auf der Schüssel montieren.

a. Überzeugen Sie sich, ob das Dreieck an der Zuführung in einer Linie mit dem Symbol eines offenen Vorhängeschlosses auf der Schüssel ist (Abbildung 4).

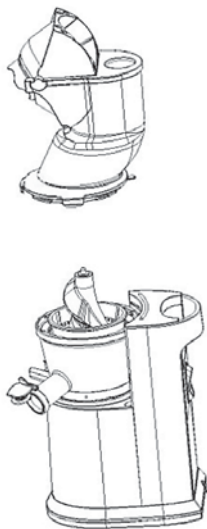


Abb. 4

b. Drehen Sie die Zuführung im Uhrzeigersinn, bis die Abdeckung blockiert ist.

(Der Pfeil auf der Zuführung wird in einer Linie mit der Aufschrift CLOSED auf dem Gehäuse sein). (Abbildung 5)

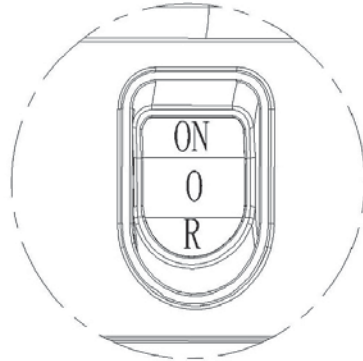


Abb. 5



6. BEDIENUNG DER FRUCHTSAFTPRESSE MIT NIEDRIGER DREHZAHL

1. Nach dem richtigen Montieren der Teile wird die Anschlussleitung an die entsprechende Stromquelle angeschlossen.
2. Stellen Sie einen der Behälter unter den Auslass des Fruchtfleisches und unter den Saftausguss ein Glas oder einen anderen Behälter.



Die Fruchtresse mit niedriger Drehzahl hat 3 Einstellungen (Abbildung 6):

- a. ON – Inbetriebnahme der Fruchtresse.
- b. 0 – Anhalten.
- c. R – Bewegung der Schneckenwelle in der entgegengesetzten Richtung

Abb. 6

3. Bevor die Produkte in die Fruchtresse mit niedriger Drehzahl eingebracht werden, muss man sie genau auswaschen. Wenn das Abschälen gefordert ist, muss man die Produkte nicht unbedingt waschen. Ebenso sind die Produkte in kleinere Teile zu schneiden, damit sie in der Zuführung untergebracht werden können. Wir empfehlen Stückchen, die nicht größer als 7 cm sind. Man muss sämtliche harten Samenkörner oder Kerne entfernen, z.B. bei Kirschen oder Pflaumen, da sie nicht mit verarbeitet werden und die Schneckenwelle beschädigen können.
4. Während des Einbringens der Produkte in die Fruchtresse mit niedriger Drehzahl, zieht die Schneckenwelle automatisch die Früchte ein und beginnt mit dem Auspressen des Saftes. **MAN DARF NICHT nachstoßen bzw. zu viel auf einmal einlegen.** Den Stößel, welcher der Fruchtresse mit niedriger Drehzahl beigelegt ist, muss man nur bei einer Verstopfung der Früchte in der Zuführung einsetzen.
5. Die Produkte sind langsam einzulegen, um dadurch das völlige Trennen des Fruchtfleisches vom Obst und Gemüse zu ermöglichen.
6. Hinweis: Nach dem Beenden der Arbeit ist die Fruchtresse mit niedriger Drehzahl auszuschalten. Starten Sie das Gerät nicht, wenn noch keine Lebensmittel eingelegt wurden, da dies zu einem Überhitzen des Motors führen kann.
7. Die Fruchtresse mit niedriger Drehzahl ist mit einem einzigartigen Reinigungsverfahren bei der Änderung der Art des Saftes ausgerüstet. Beim Reinigen ist es ausreichend, wenn man einen Behälter unter den Saftauslass stellt und während des Funktionsbetriebes des Gerätes Wasser in die Zuführung gießt. Dadurch werden die meisten Überreste vom vorhergehenden Auspressen weggespült. Wenn dann das ausfließende Wasser sauber ist, bedeutet dies, dass das Gerät sauber und bereit zum Anrichten der nächsten Portion Saft ist.

HINWEIS: Dieser Prozess kann allerdings eine komplette Reinigung aller abgenommenen Teile nicht ersetzen!

7. RATSCHLÄGE

Man muss sich mit der Anweisung genau vertraut machen und die nachfolgenden Ratschläge befolgen, da sich die Fruchtresse mit niedriger Drehzahl in der Bedienung von einer traditionellen Fruchtresse unterscheidet:

- Die Produkte sind vorsichtig in die Zuführung einzusetzen. Der bei der Fruchtresse mitgelieferte Stößel ist nur beim Verstopfen der Lebensmittel in der Zuführung zu verwenden. Man darf weder nachstoßen noch zu viele Produkte auf einmal einfüllen.
- Lebensmittel sind in Stücken von nicht größer als 7 cm zu schneiden, um die besten Ergebnisse zu erreichen.
- Zum Erreichen der besten Ergebnisse legt man die Produkte langsam ein, wodurch das Trennen des Fruchtfleisches ermöglicht wird. Bringen Sie nicht zu viele Produkte ein und beschleunigen Sie nicht den Prozess des Ausdrückens.

- Es sind weder eingefrorene Produkte noch Eis in das Gerät einzubringen.
- Am besten sind begrünte Produkte mit verschiedenen Obstsorten zu verbinden.

HINWEIS

Im unteren Teil der Schüssel befindet sich eine Silikondichtung (Abbildung 7), die das Ausströmen eines Saftes durch den Auslass für Fruchtfleisch verhindert. Vergewissern Sie sich während der Nutzung der Fruchtsaftresse mit niedriger Drehzahl, dass die Silikondichtung richtig angesetzt wird. Beim Reinigen der Schüssel muss man die Dichtung entfernen und den Auslass des Fruchtfleisches zwecks Beseitigung der Nahrungsmittelreste gut durchspülen.

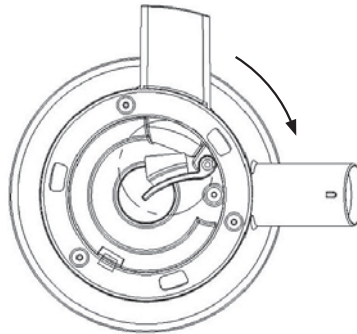


Abb. 7

DE

8. REINIGUNG

1. Gerät ausschalten und von der Stromversorgung trennen.
2. Die Zuführung gegen den Uhrzeigersinn drehen, um sie zu entsperren.
3. Die Schüssel gegen den Uhrzeigersinn drehen, um sie zu entsperren und anschließend als Ganzes herauszunehmen.
4. Das Ganze in folgender Reihenfolge demontieren:
 - a. Zuführung
 - b. Schneckenwelle
 - c. Sieb
 - d. Drehkorb
 - e. Schüssel



5. Mit Hilfe der beigefügten Bürste ist jedes Element mit warmen Wasser unter der Zugabe eines milden Reinigungsmittels genau zu reinigen. Dabei muss man daran denken, dass die Silikondichtung unter der Schüssel zu entfernen ist, um so die Rückstände vom Fruchtfleischauslass zu beseitigen.

Hinweis:

a. Zum Waschen sind weder ätzende Reinigungsmittel noch Scheuerschwämme zu verwenden.

b. Das Gehäuse der Fruchtpresse mit niedriger Drehzahl darf im Wasser weder gespült noch getaucht werden.

c. Vor dem erneuten Gebrauch der Fruchtpresse mit niedriger Drehzahl müssen alle Elemente genau getrocknet werden.

6. Das manuelle Reinigen aller Elemente wird empfohlen. Legen Sie keine Teile der Fruchtpresse mit niedriger Drehzahl in die Spülmaschine.

8.1 BEHARRLICHE VERSCHMUTZUNGEN

Da die im Gemüse, besonders in den Möhren enthaltenen Carotinoide stark abfärbend sind, empfehlen wir die Anwendung EINER der nachfolgenden Reinigungsmethoden:

1. Die durch Carotin gefärbten Elemente im Seifenwasser befeuchten.

2. In warmen Wasser unter der Zugabe von Apfelsäure zu gleichen Teilen reinigen.

3. In warmen Wasser unter der Zugabe von 1/2 Packung von Natron befeuchten.

4. Im Spülbecken, gefüllt mit warmen Wasser und mit 1/2 Glas Bleichmittel, befeuchten.

8.2 ANDERE RATSCHLÄGE BEZÜGLICH DER REINIGUNG

• Für die Reinigung der Fruchtpresse mit niedriger Drehzahl dürfen keine starken Reinigungsmittel verwendet werden, d.h. weder Ammoniak noch Scheuermittel.

• Das Reinigen der Fruchtpresse mit niedriger Drehzahl nach jedem Gebrauch trägt dazu bei, dass die Entstehung von Flecken in der Schüssel und auf anderen Elementen vermieden wird.

9. PROBLEMLÖSUNG

PROBLEM	LÖSUNG
Gerät funktioniert nicht	<ul style="list-style-type: none"> Leitung und Stromquelle prüfen. Prüfen, ob alle Elemente richtig montiert wurden.
Das Gerät klemmt/ist verstopft oder funktioniert nicht mehr	<ul style="list-style-type: none"> Prüfen, ob die Zuführung nicht blockiert ist. Prüfen, ob vor dem Beginn des Auspressens die hartschaligen Körner beseitigt wurden oder ob sie nicht das Gerät blockieren. Schalten Sie das Gerät aus und starten Sie den Rücklauf (REVERS) für 3 Sekunden. Demontieren Sie das Gerät und reinigen Sie es vom Fruchtfleisch.
Während des Auspressens hört man ein Quietschen	<ul style="list-style-type: none"> Quietschtöne sind völlig normal. Ohne dass sich Lebensmittel in der Mitte befinden, darf man die Fruchtpresse nicht in Betrieb nehmen.
Ausfluss aus dem Boden der Schüssel	<ul style="list-style-type: none"> Man muss sich davon überzeugen, dass nach dem Reinigen die Silikondichtung wieder richtig anliegt.

DE



Beschädigung des Siebes	<ul style="list-style-type: none"> • Machen Sie sich mit der Gebrauchsanweisung und den Hinweisen zum Auspressen des Saftes vertraut. Man muss darauf achten, dass weder das Gerät überfüllt noch die Produkte in der Fruchtpresse zusammengestoßen werden.
Es kommt zu viel Fruchtfleisch heraus	<ul style="list-style-type: none"> • Lebensmittel in kleinere Stücke schneiden, besonders die Faserprodukte, deren Fasern die Schneckenwelle blockieren können. Die Produkte langsamer einlegen und vor der weiteren Produktzugabe abwarten, bis das ganze Fruchtfleisch ausgeschieden ist.
Schüssel klemmt und lässt sich nicht aus dem Gehäuse herausnehmen	<ul style="list-style-type: none"> • Gewöhnlich wird das von einer zu großen Menge an Produkten in der Schüssel verursacht. Rücklaftaste für 3-5 Sekunden drücken. • Diesen Prozess 2-3 Mal wiederholen. Danach die Schüssel anheben und abdrehen.
Zuführung/Deckel ist blockiert	<ul style="list-style-type: none"> • Rücklaftaste für 3-5 Sekunden drücken. Diesen Prozess 2-3 Mal wiederholen, danach kann man den Deckel von oben drücken und ihn abdrehen.

10. GARANTIE

Alle innerhalb von einem Jahr nach dem Kaufdatum festgestellten Defekte oder Mängel, die die Funktionalität des Gerätes beeinträchtigen, werden auf dem Wege der unentgeltlichen Reparatur bzw. des Austausches unter der Voraussetzung beseitigt, dass das Gerät in einer der Bedienungsanleitung gemäßen Art und Weise betrieben und gewartet wird und weder vorsätzlich vernichtet noch nicht bestimmungsgemäß genutzt wurde. Ihre Rechte aus den entsprechenden Gesetzen

bleiben davon unberührt. Eine in der Garantiefrist einzureichende Beanstandung hat die Angabe des Kaufortes und Kaufdatums und in der Anlage einen Kaufbeleg (z.B. Kassenzettel) zu enthalten.

Gemäß unserer Politik der ständigen Weiterentwicklung unserer Produkte behalten wir uns vor, Änderungen am Produkt, an seiner Verpackung und an den dokumentierten technischen Daten ohne vorherige Ankündigung vorzunehmen.

DE

11. ENTSORGUNG UND UMWELTSCHUTZ

Nach Beendigung seiner Lebensdauer ist das Gerät rechtmäßig und den jeweils geltenden Richtlinien entsprechend zu entsorgen.

Verpackungsmaterial, wie Kunststoffe bzw. Schachteln, in die entsprechenden Behälter geben.



INHOUDSOPGAVE

1. HET VERSCHIL DAT SLOWJUICING MAAKT	27
2. VEILIGHEIDSINSTRUCTIES	27
3. TECHNISCHE GEGEVENS	30
4. ONDERDELEN SLOW JUICER	30
5. BEDIENING	31
6. DE SLOW JUICER GEBRUIKEN	33
7. TIPS SLOWJUICEN	34
8. REINIGING	34
9. PROBLEMEN OPLOSSEN	35
10. GARANTIE	36
11. AFDANKEN & MILIEU	36

Geachte klant,

Hartelijk dank voor de aankoop van dit Hendi apparaat. Leest u deze gebruiksaanwijzing zorgvuldig voordat u het apparaat gebruikt, dit om schade door verkeerd gebruik te voorkomen. Lees vooral de veiligheidsinstructies aandachtig door.

1. HET VERSCHIL DAT SLOWJUICING MAAKT

Dankzij slowjuicing kunt u met één glas meer groenten en fruit consumeren dan u in één keer kunt eten. Doordat er geen oxidatie of scheiding is bij slowjuicen, worden er meer organische voedingsstoffen van het voedsel behouden en blijft het sap dicht bij de natuurlijke staat. Vers sap uit een slowjuicer wordt direct in het lichaam opgenomen en het is dus een ideale wijze om belangrijke vitamines en voedingsstoffen in te nemen – uw lichaam ontvangt alles dat het nodig heeft voor een optimale gezondheid. Daarnaast kunt u een grote verscheidenheid aan saprecepten creëren om te genieten van groenten die u normaal gesproken niet graag eet. De Slow Juicer maakt gebruik van

een proces met 2 stappen, waarbij sap twee keer uit de vrucht of groente wordt gewonnen voordat het in uw glas terecht komt. De persschroef, het belangrijkste onderdeel van het apparaat, perst het voedsel zeer accuraat zonder het te versnipperen of vermalen, zodat u meer sap in uw glas krijgt. De Slow Juicer produceert verse en gezonde sap, boordevol vitamines en voedingsstoffen die nodig zijn in het dagelijks leven. Daarnaast gebruikt de Slow Juicer minder energie, waardoor u geld bespaart en uw koolstofvoetafdruk verlaagt. Eén glas en u zult het verschil tussen sap uit de winkel en het verse, gezonde sap uit dit apparaat uit eerste hand ervaren.

2. VEILIGHEIDSINSTRUCTIES

- Onjuiste bediening en verkeerd gebruik van het apparaat kan ernstige schade aan het apparaat en verwonding van personen tot gevolg hebben.
- Het apparaat mag alleen worden gebruikt voor het doel waarvoor het werd ontworpen. De fabrikant aanvaardt geen enkele aansprakelijkheid voor schade als gevolg van onjuiste bediening en verkeerd gebruik.
- Zorg dat het apparaat en de stekker niet met water of een andere vloeistof in aanraking komen. Mocht het apparaat onverhoopt in het water vallen, trek dan onmiddellijk de stekker uit het stopcontact en laat het apparaat controleren door een erkend vakman. Niet-naleving hiervan kan levensgevaar opleveren.
- Probeer nooit zelf de behuizing van het apparaat te openen.
- Steek geen voorwerpen in de behuizing van het apparaat.
- Raak de stekker niet met natte of vochtige handen aan.
- **Gevaar van elektrische schokken!** Probeer het apparaat niet zelf te repareren. In het geval van storingen, laat reparaties alleen uitvoeren door gekwalificeerd personeel.
- **Gebruik nooit een beschadigd apparaat!** Als het apparaat is beschadigd, haal de stekker dan uit het stopcontact en neem contact op met de winkel.

NL



- **Waarschuwing!** Dompel de elektrische onderdelen van het apparaat niet onder in water of andere vloeistoffen. Houd het apparaat nooit onder stromend water.
- Controleer de stekker en het netsnoer regelmatig op schade. Als de stekker of het netsnoer is beschadigd, moet het worden vervangen door de technische dienst of een soortgelijk gekwalificeerd persoon om gevaar of letsel te voorkomen.
- Zorg ervoor dat het netsnoer niet in contact komt met scherpe of hete voorwerpen en houd het uit de buurt van open vuur. Als u de stekker uit het stopcontact wilt halen, trek dan altijd aan de stekker en niet aan het netsnoer.
- Zorg ervoor dat niemand per ongeluk aan het netsnoer (of verlengsnoer) kan trekken of kan struikelen over het netsnoer.
- Houd het apparaat in de gaten tijdens gebruik.
- **Waarschuwing!** Zolang de stekker in het stopcontact zit, is het apparaat aangesloten op de voedingsbron.
- Schakel het apparaat uit voordat u de stekker uit het stopcontact trekt.
- Draag het apparaat nooit aan het netsnoer.
- Gebruik geen extra hulpmiddelen die niet worden meegeleverd met het apparaat.
- Sluit het apparaat alleen aan op een stopcontact met de spanning en frequentie die is vermeld op het typeplaatje.
- Sluit de stekker aan op een stopcontact dat eenvoudig bereikt kan worden, zodat de stekker in geval van nood onmiddellijk uit het stopcontact kan worden getrokken. Trek de stekker volledig uit het stopcontact om het apparaat volledig uit te schakelen. Gebruik de stekker om het apparaat los te koppelen van het lichtnet.
- Schakel het apparaat altijd uit voordat u de stekker uit het stopcontact trekt.
- Gebruik nooit accessoires die niet worden aanbevolen door de fabrikant. Zij kunnen mogelijk een veiligheidsrisico vormen voor de gebruiker en kunnen het apparaat mogelijk beschadigen. Gebruik alleen originele onderdelen en accessoires.
- Dit apparaat is niet geschikt voor gebruik door personen (inclusief kinderen) met een verminderd fysiek, sensorisch of geestelijk vermogen, of gebrek aan ervaring en kennis.
- Dit apparaat mag onder geen enkele omstandigheid worden gebruikt door kinderen.
- Houd het apparaat en het netsnoer buiten bereik van kinderen.
- Kinderen mogen niet met het apparaat spelen.
- Koppel het apparaat altijd los van het lichtnet als het onbeheerd wordt achtergelaten en voordat het apparaat wordt gemonteerd, gedemonteerd of gereinigd.
- Laat het apparaat nooit onbeheerd achter tijdens gebruik.
- Gebruik het apparaat niet om zeer hard of vezelig voedsel te verwerken (bijv. rarbaber).

- Verbrandingsgevaar! Gebruik het apparaat niet tijdens het kookproces, met kokende vloeistoffen of heet vet.
- Verwondingsgevaar! Wees voorzichtig bij de omgang met de scherpe messen, het legen van de snijgereedschappen en tijdens het reinigen.
- Schakel het apparaat uit en trek de stekker uit het stopcontact voordat u accessoires/onderdelen verwisselt of in de buurt komt van delen die bewegen tijdens gebruik.
- Gebruik het apparaat niet continu voor lange perioden om oververhitting van de motor te voorkomen. U mag het apparaat niet langer dan 10 minuten continu gebruiken. Laat het apparaat afkoelen als de behuizing van het apparaat te warm wordt. Gebruik het apparaat opnieuw nadat het is afgekoeld.
- Houd uw vingers, haren, kleding en keukengerei uit de buurt van alle bewegende onderdelen.
- Droog het apparaat en alle accessoires/onderdelen voordat u het apparaat aansluit op het lichtnet en vóór het bevestigen van de accessoires..
- Gebruik nooit uw vingers of een voorwerp (bijv. spatel) om ingrediënten in de vultrechter te drukken terwijl het apparaat is ingeschakeld. Gebruik hiervoor alleen de stamper.
- Gebruik nooit een lepel, spatel of soortgelijk voorwerp om ingrediënten te verwijderen uit de vultrechter als het apparaat wordt gebruikt. Als u ingrediënten uit de vultrechter wilt verwijderen, schakel het apparaat dan altijd eerst uit en trek de stekker uit het stopcontact.

Installatie met aarding

Dit is een klasse I apparaat. Dit apparaat moet geaard worden. Aarding verlaagt de kans op elektrische schokken doordat elektrische stroom via een ontsnappingsdraad kan weglopen. Dit apparaat is uitgerust met een snoer met een aardedraad en een geaarde stekker. De stekker moet in een stopcontact worden gestoken dat juist is geïnstalleerd en geaard.



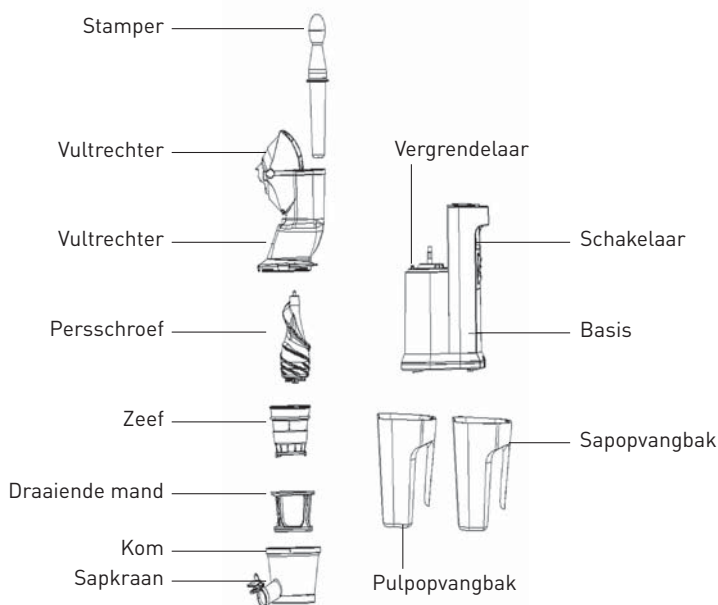
3. TECHNISCHE GEGEVENS

Model	221044
Afmetingen	260x175x(H)545 mm
Snelheid	45 RPM
Nominaal vermogen	250 W
Nominale Frequentie	50 Hz
Nominale spanning	220-240 V
Gewicht	7,2 kg
Beschermingsklasse	KLASSE I

De fabrikant en dealer zijn niet aansprakelijk voor eventuele onjuistheden in deze handleiding als gevolg van drukfouten of transcriptie. Aangezien wij ons altijd inzetten om onze producten

voortdurend te verbeteren, behouden wij ons het recht voor om het product, de verpakking en de specificaties in deze documentatie te wijzigen zonder voorafgaande kennisgeving.

4. ONDERDELEN SLOW JUICER



5. BEDIENING

De Slow Juicer komt vrijwel volledig gemonteerd uit de doos. We raden aan om het apparaat vóór gebruik te demonteren en alle verwijderbare onderdelen te wassen in warm water met een niet-agressief, vloeibaar reinigingsmiddel. Spoel

grondig met warm water en laat het apparaat aan de lucht drogen. Dit elimineert alle sporen van stof of resten van het fabricage- of transportproces. Dompel de motorunit van de Slow Juicer nooit onder in water of andere vloeistoffen.

5.1 MONTAGE

I. Monteer de kom op de basis. (Figuur 1)

a. Zorg ervoor dat de kom volledig in het omhulsel van de basis past.

b. Lijn de pijl op de kom uit met de pijl op de basis, draai licht met de klok mee om te vergrendelen. (Opmerking: Als de kom niet volledig in de basis is vergrendeld, zal het apparaat niet starten.)

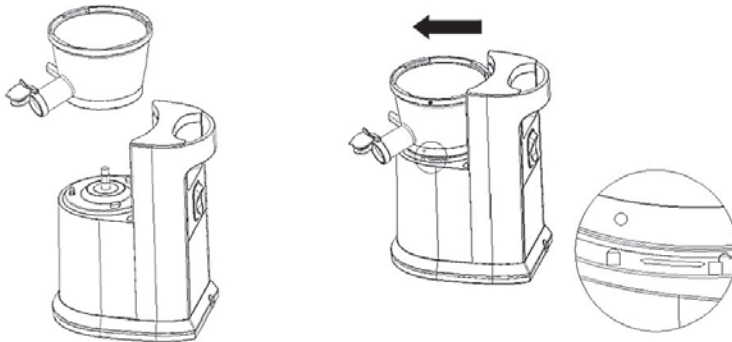


Fig. 1

II. Monteer de zeef en draaiende mand op de kom. (Figuur 2)

a. Zorg ervoor dat de diepe put op de zeefmand is uitgelijnd met de rode stip op de kom.

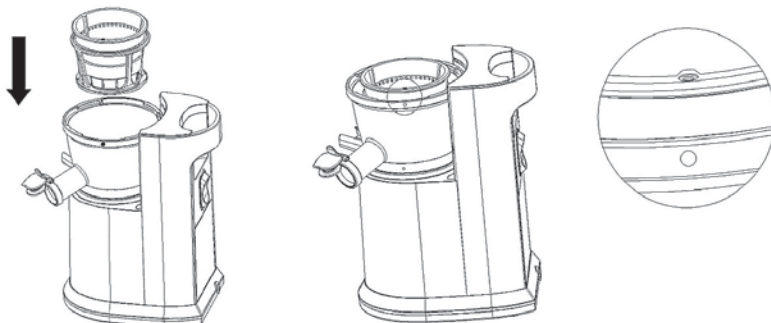


Fig. 2



III. Plaats de persschroef in het midden van de kom. (Figuur 3)

a. Draai de persschroef met de klok mee tot deze op zijn plaats valt

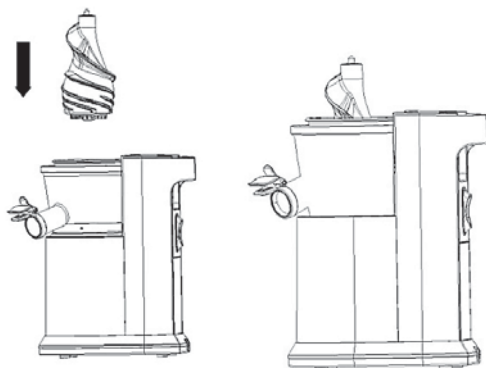


Fig. 3

IV. Plaats de vultrechter op de kom.

a. Zorg ervoor dat de driehoeksmarkering op de vultrechter is uitgelijnd met het ontgrendelde symbool op de kom. (Figuur 4)

b. Draai de vultrechter met de klok mee tot het deksel in de vergrendelde stand klikt. (De pijl op de vultrechter zal nu zijn uitgelijnd met het woord CLOSED op de motorunit. (Figuur 5)

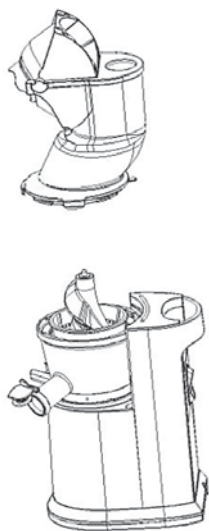


Fig. 4



Fig. 5

6. DE SLOW JUICER GEBRUIKEN

1. Sluit het netsnoer aan op een goedgekeurd stopcontact zodra alle onderdelen stevig op hun plaats zitten.
2. Plaats een van de opvangbakken onder de pulpuitgang en een glas of de andere opvangbak onder de saptuit.
3. De Slow Juicer heeft 3 instellingen (Figuur 6)
 - a. ON –dit start de motor voor het maken van sap.
 - b. O – dit stopt de werking.
 - c. R – dit beweegt de persschroef in tegenovergestelde richting.

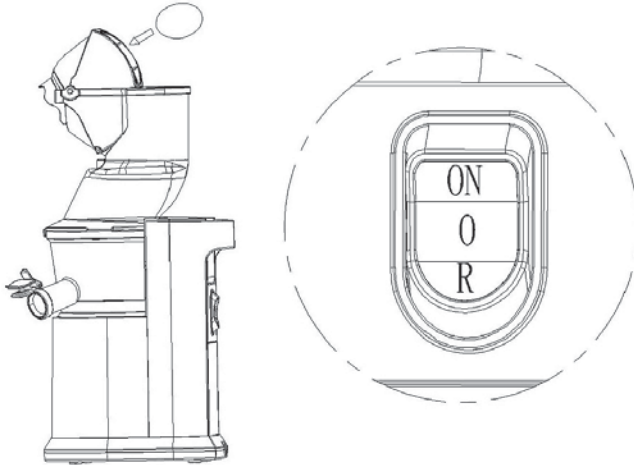


Fig. 6

4. Voordat u voedsel in de Slow Juicer plaatst, zorg ervoor dat al het voedsel goed is gewassen. Als voedsel geschild moet worden, hoeft u het niet te wassen. Zorg er ook voor dat alle voedingsmiddelen in stukjes van geschikte grootte zijn gesneden, zodat het eenvoudig in de vultrechter past. We raden aan om voedsel in stukken van maximaal 7,5cm te snijden.

*Zorg ervoor dat alle harde zaden of pitten, zoals kers- en pruimpitten, uit het fruit zijn verwijderd, omdat deze niet in de juicer kunnen worden verwerkt en de persschroef kunnen beschadigen.

5. Als u voedsel in de Slow Juicer plaatst, zal de persschroef automatisch het voedsel naar binnen trekken en beginnen met het maken van sap. Druk of forceer het voedsel NIET in de vultrechter en plaats NIET teveel voedsel in de vultrechter. De met de Slow Juicer meegeleverde stamper mag alleen worden gebruikt als er voedsel vastzit in de vultrechter.
6. Het beste is om al het voedsel met een traag tempo in het apparaat te plaatsen, zodat alle

pulp volledig uit de vrucht of groente kan worden geëxtraheerd.

7. Herinnering: schakel de Slow Juicer uit als u klaar bent met het maken van sap. Gebruik de Slow Juicer niet als er geen voedsel in het apparaat zit, omdat dit tot oververhitting van de motor kan leiden.
8. De Slow Juicer heeft een uniek reinigingsproces bij het wisselen tussen verschillende soorten sap. U kunt het apparaat reinigen door een van de opvangbakken onder de saptuit te plaatsen en vervolgens water door de vultrechter te gieten terwijl het apparaat is ingeschakeld. Dit spoelt de meeste resten van het eerder gemaakte sap weg. Als het water uit de Slow Juicer helder begint te worden, is dit een teken dat het apparaat schoon is en klaar is voor het maken van een nieuw sap.

OPMERKING: Dit proces is geen alternatief voor het volledig reinigen van elk gedemonteerd onderdeel.



7. TIPS SLOWJUICEN

Een slowjuicer moet anders worden gebruikt dan traditionele sapcentrifuges en voor de beste resultaten wordt daarom aanbevolen de handleiding aandachtig door te lezen en de onderstaande tips op te volgen.

- Laat het voedsel voorzichtig in de vultrechter vallen. De stamper van de Slow Juicer mag alleen worden gebruikt als er voedsel vastzit in de vultrechter. Plaats niet teveel voedsel in het apparaat en duw of forceer het voedsel niet in de vultrechter.
- Snijd voedsel in stukken die niet groter zijn dan 7,5 cm voor de beste persresultaten.

- Plaats voedingsmiddelen langzaam in de vultrechter, zodat alle pulp kan worden geëxtraheerd. Plaats niet teveel voedsel in de vultrechter en probeer het proces niet te versnellen.
- Plaats geen bevroren fruit, groenten of ijs in het apparaat.
- Combineer bladgroenten met een verscheidenheid van fruit voor de beste resultaten.

Zorg er tijdens het reinigen van de kom voor dat u de pad naar buiten schuift en water door de pulpuitzang laat lopen om overtollige voedselresten te verwijderen.

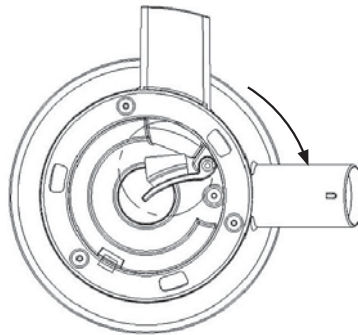


Fig. 7

8. REINIGING

1. Schakel het apparaat uit en trek de stekker uit het stopcontact.
2. Draai de vultrechter tegen de klok in om te ontgrendelen.
3. Draai de kom tegen de klok in naar de ontgrendelde stand en til het hele deel uit het apparaat.
4. Demonteer het bovenste deel in de volgende volgorde:
 - a. Vultrechter
 - b. Persschroef
 - c. Zeef
 - d. Draaiende mand
 - e. Kom
5. Gebruik de meegeleverde reinigingsborstel om de gedemonteerde delen grondig te reinigen met behulp van een warm zeepsopje. Vergeet niet om de siliconen pad onder de kom te verplaatsen om de voedselresten in de pulpuitzang te reinigen.

Let op:

 - a. Gebruik geen schurende doek of agressieve vloeistoffen.
 - b. Spoel de basis van de Slow Juicer niet of dompel de basis niet onder in water.
 - c. Droog alle Slow Juicer onderdelen voordat u het apparaat opnieuw gebruikt.
6. Het wordt aanbevolen alle onderdelen van het bovenste deel met de hand te wassen. Plaats de onderdelen van de Slow Juicer niet in de vaatwasmachine.

8.1 VOOR HARDNEKKIGE VLEKKEN

Omdat veel groenten, waaronder wortelen, carotenoiden bevatten en hardnekkige vlekken achter kunnen laten, wordt aanbevolen EEN van de volgende reinigingsprocedures te gebruiken:

1. Weken in mild zeepsopje.
2. Gelijke delen warm water en appelazijn.
3. Weken in zuiveringszout, ½ doos, en warm water.
4. ½ kopje bleekwater in een gootsteen vol warm water.

8.2 ANDERE REINIGINGSTIPS

- Gebruik nooit sterke huishoudelijke reinigingsmiddelen, ammoniak of schuurmiddelen tijdens het reinigen van de Slow Juicer.
- Het onmiddellijk reinigen van de Slow Juicer na elk gebruik helpt ook om vlekken op de kom of bovenste delen te voorkomen.

9. PROBLEMEN OPLOSSEN

PROBLEEM	Oplossing
Apparaat werkt niet	<ul style="list-style-type: none">• Controleer netsnoer en de voedingsbron• Controleer of alle onderdelen correct zijn gemonteerd.
Apparaat klompen of niet meer werkt	<ul style="list-style-type: none">• Controleer de vulopening duidelijk is en niet geblokkeerd is.• Controleer of de harde zaden zijn voor het maken van sap is verwijderd en worden niet vast in de machine.• Zet de machine uit, en schakelaar om te keren gedurende 3 seconden.• Demonteer het bovenste deel en duidelijke resterende pulp.
Piepend geluid bij sap	<ul style="list-style-type: none">• Piepend geluid is volkomen normaal. Let op: om de sapcentrifuge niet draaien zonder voedsel.
Lekkende van onderaf de kom	<ul style="list-style-type: none">• Zorg ervoor dat de siliconen pad is stevig op zijn plaats na het schoonmaken.
Zeef damage	<ul style="list-style-type: none">• Raadpleeg de werking instructie voor het juiste gebruik en het maken van sap tips. Vergeet stoff voedsel of kracht voedsel niet te over in de slow juicer.
Te veel pulp komt uit	<ul style="list-style-type: none">• Snij het voedsel in kleinere stukken, in het bijzonder vezelig voedsel aan vezels sloop rond de Auger voorkomen. Plaats voedsel in een langzamer tempo en laat al het voedsel pulp om het toestel uit te werpen voor het toevoegen van nog veel meer.
Kom zit vast en zal niet los van de basis	<ul style="list-style-type: none">• Dit wordt meestal veroorzaakt door overtollig voedsel in de kom. Druk achteruitnaai toets 3-5 seconden. Herhaal de procedure 2-3 keer. Druk vervolgens kom naar boven tijdens het draaien. Eten Helli / Deksel zit vast
Eten Helli / Deksel zit vast	<ul style="list-style-type: none">• Druk achteruitnaai toets 3-5 seconden. Herhaal de procedure 2-3 keer, kunt u vervolgens naar beneden drukken op de top van het deksel tijdens het draaien.



10. GARANTIE

Elk defect waardoor de werking van het apparaat nadelig wordt beïnvloed dat zich binnen één jaar na aankoop van het apparaat voordoet, wordt gratis hersteld door reparatie of vervanging, mits het apparaat conform de instructies is gebruikt en onderhouden en niet op enigerlei wijze verkeerd is behandeld of misbruikt. Dit laat onverlet uw bij wet bepaalde rechten. Als de garantie van kracht is, vermeld dan waar en wanneer u het apparaat

hebt gekocht en sluit een aankoopbewijs bij (bijv. kassabon of factuur).

Gezien ons streven naar voortdurende verdere productontwikkeling behouden wij ons het recht voor, zonder voorafgaande kennisgeving wijzigingen aan te brengen aan product, verpakking en documentatie.

11. AFDANKEN & MILIEU

Aan het einde van de levensduur, het apparaat af-danken volgens de op dat moment geldende voor-schriften en richtlijnen.

Werp verpakkingsmateriaal zoals plastic en dozen in de daarvoor bestemde containers.



SPIS TREŚCI

1. ZALETY POWOLNEGO WYCISKANIA SOKU	39
2. ZASADY BEZPIECZEŃSTWA	39
3. DANE TECHNICZNE	42
4. ELEMENTY WYCISKARKI WOLNOOBROTOWEJ	42
5. URUCHAMIANIE	43
6. OBSŁUGA WOLNOOBROTOWEJ WYCISKARKI	45
7. PORADY	46
8. CZYSZCZENIE	46
9. ROZWIĄZYWANIE PROBLEMÓW	47
10. GWARANCJA	48
11. WYCOFANIE Z UŻYTKOWANIA I OCHRONA ŚRODOWISKA	48

Szanowny Kliencie,

Dziękujemy za zakup urządzenia firmy Hendi. Prosimy o uważne zapoznanie się z niniejszą instrukcją przed podłączeniem urządzenia, aby uniknąć uszkodzeń spowodowanych niewłaściwą obsługą. Należy zwrócić szczególną uwagę na zasady bezpieczeństwa.

1. ZALETY POWOLNEGO WYCISKANIA SOKU

Jedna szklanka soku wyciskanego wolnoobrotowo zawiera więcej owoców i warzyw niż można zjeść za jednym razem. W powolnym wyciskaniu nie zachodzi utlenianie czy rozwarstwianie soku, dlatego możliwe jest zachowanie więcej składników odżywczych z żywności i ich naturalnego stanu. Świeży sok z wyciskarki wolnoobrotowej jest bezpośrednio wchłaniany przez organizm, dostarczając ważnych składników odżywczych i witamin - organizm otrzymuje wszystko, co niezbędne dla optymalnego zdrowia. Można też tworzyć różnorodne kompozycje z owoców i warzyw, których normalnie nie dałoby się połączyć w całości.

Wyciskarka wolnoobrotowa wykorzystuje 2-etapowy proces, w którym sok jest dwukrotnie wyciskany z produktu zanim trafi do szklanki. Wałek ślimakowy, czyli główny element urządzenia, precyzyjnie wyciska produkt bez jego rozrywania czy ucierania, co pozwala uzyskać więcej soku. Wyciskarka wolnoobrotowa wytwarza świeży, pożywny sok z większą ilością składników odżywczych i witamin niezbędnych do codziennego funkcjonowania. Dodatkowo wyciskarka wolnoobrotowa zużywa mniej energii, co pozwala zredukować koszty i emisję dwutlenku węgla. Już pierwsza szklanka pozwoli ci poczuć różnicę pomiędzy sokiem kupionym w sklepie, a świeżo wyciśniętym, zdrowym sokiem.

2. ZASADY BEZPIECZEŃSTWA

- Nieprawidłowa obsługa i niewłaściwe użytkowanie mogą spowodować poważne uszkodzenie urządzenia lub zranienie osób.
- Urządzenie należy stosować wyłącznie zgodnie z przeznaczeniem. Producent nie ponosi żadnej odpowiedzialności za szkody spowodowane nieprawidłową obsługą i niewłaściwym użytkowaniem urządzenia.
- W czasie użytkowania zabezpiecz urządzenie i wtyczkę kabla zasilającego przed kontaktem z wodą lub innymi płynami. W mało prawdopodobnym przypadku zanurzenia urządzenia w wodzie, należy natychmiast wyciągnąć wtyczkę z kontaktu, a następnie zlecić kontrolę urządzenia specjalście. Nieprzestrzeżenie tej instrukcji może spowodować zagrożenie życia.
- Nigdy nie otwieraj samodzielnie obudowy urządzenia.
- Nie wtykaj żadnych przedmiotów w obudowę urządzenia.
- Nie dotykaj wtyczki kabla zasilającego wilgotnymi rękami.
- **Niebezpieczeństwo porażenia prądem!** Nie należy samodzielnie naprawiać urządzenia. Wszelkie usterki i niesprawności winny być usuwane wyłącznie przez wykwalifikowany personel.

PL



- **Nigdy nie używaj uszkodzonego urządzenia!** Uszkodzone urządzenie należy odłączyć od sieci i skontaktować się ze sprzedawcą.
- **Ostrzeżenie!** Nie zanurzaj części elektrycznych urządzenia w wodzie ani w innych płynach. Nie wkładaj urządzenia pod bieżącą wodę.
- Regularnie sprawdzaj wtyczkę i kabel zasilający pod kątem uszkodzeń. Uszkodzoną wtyczkę lub kabel przekaż w celu naprawy do punktu serwisowego lub innej wykwalifikowanej osoby, aby zapobiec ewentualnym zagrożeniom i obrażeniom ciała.
- Upewnij się, czy przewód zasilający nie styka się z ostrymi ani gorącymi przedmiotami; trzymaj kabel z dala od otwartego płomienia. Aby wyjąć wtyczkę z gniazdka, zawsze ciągnij za wtyczkę, a nie za kabel.
- Zabezpiecz przewód zasilający (lub przedłużacz) przed przypadkowym wyciągnięciem z kontaktu. Przewód poprowadź w sposób uniemożliwiający przypadkowe potknięcie.
- Stale nadzoruj urządzenie podczas użytkowania.
- **Ostrzeżenie!** Jeżeli wtyczka jest włożona do gniazdka, urządzenie należy uważać za podłączone do zasilania.
- Przed wyjęciem wtyczki z gniazdka wyłącz urządzenie!
- Nigdy nie przenoś urządzenia, trzymając za kabel.
- Nie używaj żadnych akcesoriów, które nie zostały dostarczone wraz z urządzeniem.
- Urządzenie podłączaj wyłącznie do gniazdka o napięciu i częstotliwości podanych na tabliczce znamionowej.
- Włóż wtyczkę do gniazdka zlokalizowanego w dogodnym łatwo dostępnym miejscu, tak by w przypadku awarii istniała możliwość natychmiastowego odłączenia urządzenia. W celu całkowitego wyłączenia urządzenia odłącz je od źródła zasilania. W tym celu wyjmij z gniazdka wtyczkę znajdującą się na końcu przewodu odłączanego urządzenia.
- Przed odłączeniem wtyczki zawsze pamiętaj o wyłączeniu urządzenia!
- Nie korzystaj z akcesoriów niezalecanych przez producenta. Zastosowanie niezalecanych akcesoriów może stwarzać zagrożenie dla użytkownika oraz prowadzić do uszkodzenia urządzenia. Korzystaj wyłącznie z oryginalnych części i akcesoriów.
- Z urządzenia nie mogą korzystać osoby (także dzieci), u których stwierdzono osłabione zdolności fizyczne, sensoryczne lub umysłowe, albo którym brakuje odpowiedniej wiedzy i doświadczenia.
- W żadnym wypadku nie zezwalaj na obsługę urządzenia przez dzieci.
- Urządzenie wraz z przewodem przechowuj poza zasięgiem dzieci.
- Nie dopuść, by dzieci wykorzystywały urządzenie do zabawy.

- Zawsze odłącz urządzenie od zasilania, jeżeli ma być ono pozostawione bez nadzoru, a także przed montażem, demontażem i czyszczeniem.
- Nie zostawiaj urządzenia bez nadzoru podczas użytkowania.
- Nie używaj urządzenia do przetwarzania produktów o zbyt dużej twardości oraz zbyt włóknistej strukturze. (np. rabarbar)
- **Niebezpieczeństwo poparzenia!** Nie używaj urządzenia do przetwarzania gotowanych produktów, gotujących się cieczy oraz gorącego tłuszczu.
- **Niebezpieczeństwo skaleczeniem!** Zachowaj ostrożność podczas obsługi ostrych noży tnących, oczyszczania narzędzi tnących oraz podczas czyszczenia urządzenia.
- Wyłącz urządzenie oraz odłącz od zasilania przed wymianą akcesoriów/części lub elementów które są w ruchu podczas użycia.
- Nie używaj urządzenia w sposób ciągły przez dłuższy okres czasu, aby uniknąć przegrzania silnika. Ciągły czas pracy nie może trwać dłużej niż 10 minut. Pozwól aby urządzenie ostygło, jeśli obudowa jest zbyt gorąca. Ponownie użyj urządzenia, dopiero po schłodzeniu.
- Trzymaj palce, włosy, ubrania oraz narzędzia z dala od ruchomych elementów urządzenia.
- Wyszuszyć urządzenie oraz wszelkie akcesoria przed podłączeniem do zasilania oraz przed montażem akcesoriów do urządzenia.
- Nigdy nie używaj palców ani innych przedmiotów (np. łopatką) do popychania składników znajdujących się w rurze podajnika, podczas pracy urządzenia. **Do tego celu używaj wyłącznie popychacza.**
- Nigdy nie używaj tyżki, łopatki lub podobnego narzędzia do usunięcia składników podczas pracy urządzenia. Jeżeli zajdzie potrzeba usunięcia czegoś z rury podajnika, musisz zawsze najpierw wyłączyć urządzenie oraz wyciągnąć wtyczkę z gniazdka.

Uziemienie

Jest to urządzenie klasy I. To urządzenie musi być uziemione. W przypadku wystąpienia zwarcia elektrycznego, uziemienie zmniejsza ryzyko porażenia prądem elektrycznym, zapewniając drogę wyjścia prądu elektrycznego. Urządzenie jest wyposażone w kabel z przewodem uziemiającym z wtyczką z uziemieniem. Wtyczka musi być podłączona do gniazdka, które jest prawidłowo zainstalowane i uziemione.



3. DANE TECHNICZNE

Model	221044
Wymiary	260x175x(H)545 mm
Obroty	45 obr./min.
Moc	250 W
Częstotliwość	50 Hz
Napięcie	230 V
Waga	7,2 kg (netto)
Klasa ochronności	Klasa I

Producent i sprzedawca nie ponosi odpowiedzialności za jakiegokolwiek niedokładności wynikające z błędów drukarskich lub transkrypcji, występujące w niniejszej instrukcji. Zgodnie z naszą polityką

ciągłego udoskonalania produktów zastrzegamy sobie prawo do wprowadzania zmian w produkcie, opakowaniu oraz specyfikacjach zawartych w dokumentacji bez uprzedniego powiadomienia.

4. ELEMENTY WYCISKARKI WOLNOOBROTOWEJ



5. URUCHAMIANIE

Wyciskarka wolnoobrotowa jest dostarczana w stanie złożonym. Przed pierwszym użyciem zalecamy demontaż urządzenia i umycie zdejmowalnych części w ciepłej wodzie z dodatkiem delikatnego detergentu. Optukać dokładnie w ciepłej

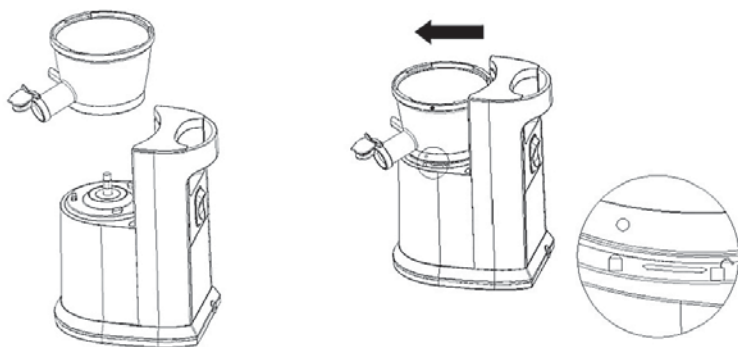
wodzie i pozostawić do wyschnięcia. Pozwoli to wyeliminować ewentualne zabrudzenia powstałe w fabryce lub w trakcie transportu. Nigdy nie zanurzać korpusu wyciskarki wolnoobrotowej w wodzie ani innej cieczy.

5.1 MONTAŻ

I. Umieścić misę w korpusie. (Rysunek 1)

a. Upewnić się, czy miska dobrze przylega do obudowy korpusu.

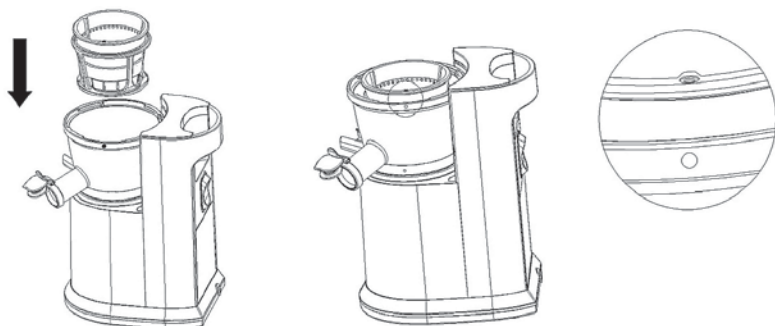
b. Obrócić misę zgodnie z ruchem wskazówek zegara, aby strzałka na misie była w tym samym miejscu co strzałka na obudowie. (Uwaga: Jeśli miska nie jest poprawnie umieszczona w korpusie, urządzenie nie uruchomi się.)



Rys. 1

II. Umieścić sitko i koszyk obrotowy w misie. (Rysunek 2)

a. Upewnić się, czy zagłębienie sitka jest w jednej linii z czerwoną kropką na misie.

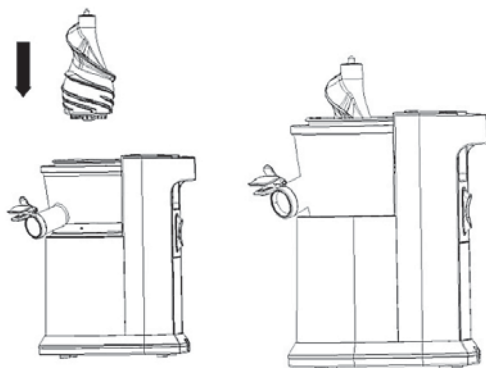


Rys. 2



III. Umieścić watek ślimakowy na środku misy. (Rysunek 3)

a. Obrócić watek zgodnie z ruchem wskazówek zegara, aż wsckoczy na miejsce.



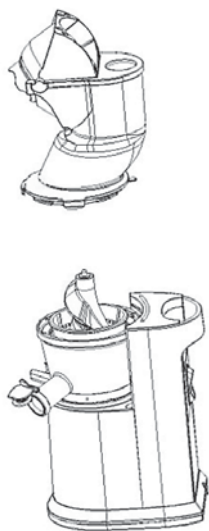
Rys. 3

IV. Zamontować podajnik na misie.

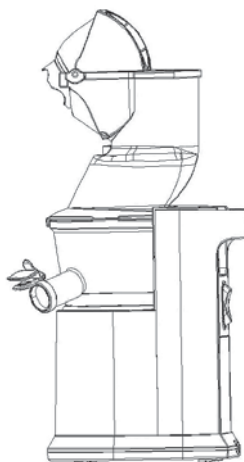
a. Upewnić się, czy trójkąt na podajniku jest w jednej linii z symbolem otwartej kłódki na misie. (Rysunek 4)

b. Obrócić podajnik zgodnie z ruchem wskazówek zegara, aż wieczko się zablokuje.

(Strzałka na podajniku będzie w jednej linii z napisem CLOSED na korpusie. (Rysunek 5))



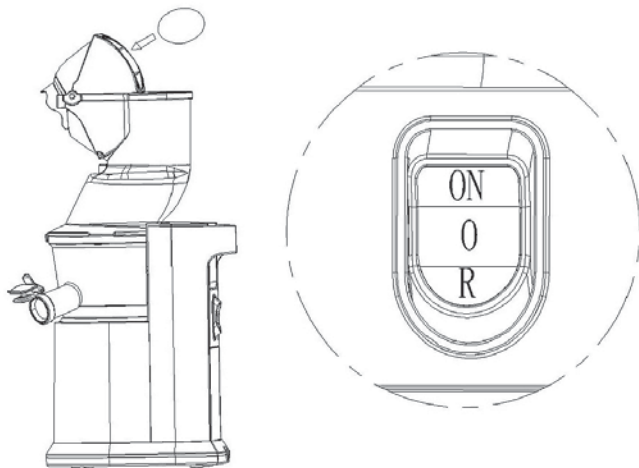
Rys. 4



Rys. 5

6. OBSŁUGA WOLNOBROTOWEJ WYCISKARKI

1. Po poprawnym zamontowaniu części, podłączyć przewód zasilający do odpowiedniego źródła zasilania.
2. Umieścić jeden z pojemników pod wylotem pulpy, a pod wylewką soku umieścić szklanekę lub drugi pojemnik.
3. Wyciskarka wolnobrotowa ma 3 ustawienia (Rysunek 6)
 - a. ON - uruchomienie wyciskarki.
 - b. O - zatrzymanie.
 - c. R - funkcja REWERS = ruch wataka ślimakowego w przeciwnym kierunku



Rys. 6

4. Przed umieszczeniem produktów w wyciskarce wolnobrotowej należy je dokładnie umyć. Jeśli skórka wymaga obrania, mycie nie jest konieczne. Należy także pokroić produkty na mniejsze części, aby zmieściły się w podajniku. Zalecamy kawałki nie większe niż 7 cm. Należy usunąć wszelkie twarde nasiona lub pestki, np. z wiśni czy śliwek, ponieważ nie zostaną one przetworzone i mogą uszkodzić watek ślimakowy.
5. Podczas umieszczania produktów w wyciskarce wolnobrotowej, watek ślimakowy automatycznie wciągnie jedzenie i rozpocznie wyciskanie soku. **NIE WOLNO upychać ani wkładać zbyt wielu produktów na raz.** Popychacza dołączonego do wyciskarki wolnobrotowej należy używać jedynie w przypadku utknięcia jedzenia w podajniku.
6. Zaleca się wkładać produkty powoli, pozwalając na całkowite oddzielenie pulpy z owoców i warzyw.
7. Przypomnienie: po zakończeniu pracy wyłączyć wyciskarkę wolnobrotową. Nie uruchamiać wyciskarki wolnobrotowej bez umieszczenia w niej żywności, może to doprowadzić do przegrzania silnika.
8. Wyciskarka wolnobrotowa wyposażona jest w unikalny tryb czyszczenia przy zmianie rodzaju soku. Aby wyczyścić, wystarczy umieścić pojemnik pod wylewką soku i włączyć wodę do podajnika w trakcie pracy urządzenia. Pozwoli to przepłukać większość pozostałości z poprzedniego wyciskania. Kiedy wylatująca woda będzie czysta, oznacza to, że urządzenie jest czyste i gotowe do sporządzenia kolejnej porcji soku.

UWAGA: Proces ten nie może zastępować kompletnego czyszczenia wszystkich zdejmowanych części.



7. PORADY

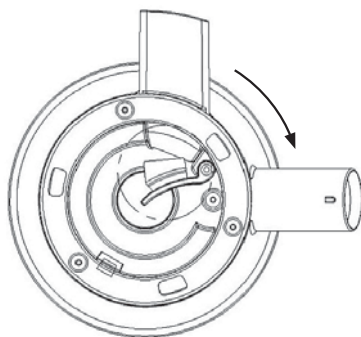
Należy dokładnie zapoznać się z instrukcją i przestrzegać poniższych porad, ponieważ wyciskarka wolnoobrotowa różni się w obsłudze od tradycyjnej wyciskarki.

- Ostrożnie umieszcza produkty w podajniku. Popychacza dotychczasowego do wyciskarki wolnoobrotowej należy używać jedynie w przypadku utknięcia żywności w podajniku. Nie należy upychać ani umieszczać zbyt wielu produktów naraz.
- Pokroić żywność na części nie większe niż 7 cm, aby uzyskać najlepsze rezultaty.
- Aby uzyskać najlepsze rezultaty, wkładać produkty powoli, pozwalając na oddzielenie pulpy. Nie umieszczać zbyt wielu produktów i nie przyspieszać procesu wyciskania.

- Nie umieszczać w urządzeniu produktów zamrożonych ani lodu.
- Najlepiej łączyć produkty liściaste z różnymi owocami.

UWAGA

Na dole miski znajduje się silikonowa uszczelka (Rysunek 7) zapobiegająca wyciekaniu soku przez wylot pulpy. Podczas korzystania z wyciskarki wolnoobrotowej, upewnić się czy uszczelka jest prawidłowo wciśnięta na miejsce. Podczas czyszczenia miski należy odsunąć uszczelkę i przepłukać wylot pulpy w celu usunięcia resztek jedzenia.



Rys. 7

8. CZYSZCZENIE

1. Wyłączyć urządzenie i odłączyć je od zasilania.
2. Obrócić podajnik przeciwnie do ruchu wskazówek zegara, aby go odblokować.
3. Obrócić misę przeciwnie do ruchu wskazówek zegara, aby ją odblokować, a następnie wyjąć całość.
4. Rozmontować całość w następującej kolejności:
 - a. Podajnik
 - b. Wątek ślimakowy
 - c. Sitko
 - d. Kosz obrotowy
 - e. Misa
5. Przy pomocy dotychczasowej szczotki, dokładnie oczyścić każdy element ciepłą wodą z dodatkiem

delikatnego detergentu. Należy pamiętać o odsunięciu silikonowej uszczelki pod misą w celu usunięcia pozostałości z wylotu pulpy.

Uwaga:

- a. Nie stosować do mycia środków ściernych ani szorstkich gąbek.
 - b. Nie płukać ani nie zanurzać korpusu wyciskarki wolnoobrotowej w wodzie.
 - c. Przed ponownym użyciem wyciskarki wolnoobrotowej, dokładnie osuszyć wszystkie elementy.
6. Zaleca się ręczne czyszczenie wszystkich elementów. Nie umieszczać żadnych części wyciskarki wolnoobrotowej w zmywarce.



8.1 UPORCZYWE ZABRUDZENIA

Ponieważ karotenoidy zawarte w wielu warzywach, zwłaszcza marchewkach, są silnie barwiące, zalecamy stosować JEDNĄ z poniższych metod czyszczenia:

1. Namoczyć elementy zabarwione karotenem w wodzie z dodatkiem mydła.
2. Czyścić ciepłą wodą z dodatkiem octu jabłkowego w równych proporcjach.
3. Namoczyć w ciepłej wodzie z dodatkiem ½ opakowania sody oczyszczonej.
4. Namoczyć w zlewie pełnym ciepłej wody z dodatkiem ½ szklanki wybielacza.

8.2 INNE PORADY DOTYCZĄCE CZYSZCZENIA

- Do czyszczenia wyciskarki wolnoobrotowej nie wolno używać silnych środków czyszczących, amoniaku ani środków ściernych.
- Czyszczenie wyciskarki wolnoobrotowej bezpośrednio po każdym użyciu pomoże uniknąć powstawania plam na misie i innych elementach.

9. ROZWIĄZYWANIE PROBLEMÓW

PROBLEM	ROZWIĄZANIE
Urządzenie nie działa	<ul style="list-style-type: none">• Sprawdzić przewód oraz źródło zasilania.• Sprawdzić, czy wszystkie elementy zostały poprawnie zamontowane.
Urządzenie zacięto się/zapchało lub przestało działać	<ul style="list-style-type: none">• Sprawdzić, czy podajnik nie jest zablokowany.• Sprawdzić, czy przed przystąpieniem do wyciskania usunięte zostały twarde nasiona i czy nie blokują one urządzenia.• Wyłączyć urządzenie i uruchomić tryb wsteczny (REWERS) na 3 sekundy.• Rozmontować urządzenie i oczyścić je z pulpy.
W trakcie wyciskania słychać pischczenie	<ul style="list-style-type: none">• Odgłosy pischczenia są całkowicie normalne. Nie należy uruchamiać wyciskarki bez żywności w środku.
Wyciek od spodu misy	<ul style="list-style-type: none">• Upewnić się, czy po czyszczeniu silikonowa uszczelka dobrze przylega.
Uszkodzenie sitka	<ul style="list-style-type: none">• Zapoznać się z instrukcją zawierającą sposób użytkowania i porady dotyczące wyciskania soku. Należy uważać, aby nie przepetnić urządzenia ani nie upychać produktów w wyciskarce.
Wydobywa się zbyt dużo pulpy	<ul style="list-style-type: none">• Pokroić żywność na mniejsze kawałki, zwłaszcza produkty włókniste, których włókna mogą zablokować watek ślimakowy. Wolniej wkładać produkty i poczekać aż cała pulpa zostanie wydalona przed dodaniem kolejnej porcji.
Misa zacięta się i nie da się jej wyjąć z korpusu	<ul style="list-style-type: none">• Zwykle jest to spowodowane zbyt dużą ilością produktów w misie. Nacisnąć przycisk wsteczny na 3-5 sekund.• Powtórzyć proces 2-3 razy. Następnie unieść misę, obracając ją.
Zablokowany podajnik/wieczko	<ul style="list-style-type: none">• Nacisnąć przycisk wsteczny na 3-5 sekund. Powtórzyć proces 2-3 razy, następnie można docisnąć wieczko od góry, obracając je.



10. GWARANCJA

Każda wada bądź usterka powodująca niewłaściwe funkcjonowanie urządzenia, która ujawni się w ciągu jednego roku od daty zakupu, zostanie bezpłatnie usunięta lub urządzenie zostanie wymienione na nowe, o ile było użytkowane i konserwowane zgodnie z instrukcją obsługi i nie było wykorzystywane w niewłaściwy sposób lub niezgodnie z przeznaczeniem. Postanowienie to w żadnej mierze nie narusza innych praw użytkownika wynikających z przepisów prawa. W przypadku zgłoszenia urządzenia do na-

prawy lub wymiany w ramach gwarancji należy podać miejsce i datę zakupu urządzenia i dołączyć dowód zakupu (np. paragon).

Zgodnie z naszą polityką ciągłego doskonalenia wyrobów zastrzegamy sobie prawo do wprowadzania bez uprzedzenia zmian w wyrobie, opakowaniu oraz danych technicznych podawanych w dokumentacji.

11. WYCOFANIE Z UŻYTKOWANIA I OCHRONA ŚRODOWISKA

Nie wyrzucaj zużytego sprzętu łącznie z innymi odpadami

Nie demontuj zużytych urządzeń zawierających niebezpieczne składniki na własną rękę!

Groź Ci za to kary grzywny!

Po zakończeniu eksploatacji produktu nie wolno gromadzić razem z odpadami komunalnymi, tylko należy odstawić do punktu odbioru odpadów elektrycznych i elektronicznych. Użytkownik ponosi odpowiedzialność za przekazanie wycofanego z użytkowania urządzenia do punktu gospodarowania

odpadami. Nieprzestrzeganie tej zasady może być karane zgodnie z lokalnie obowiązującymi przepisami dotyczącymi gospodarowania odpadami. Jeśli urządzenie wycofane z użytkowania jest poprawnie odebrane jako osobny odpad, może zostać przetworzone i zutylizowane w sposób przyjazny dla środowiska, co zmniejsza negatywny wpływ na środowisko i zdrowie ludzi. Aby uzyskać więcej informacji dotyczących dostępnych usług w zakresie odbioru odpadów, należy skontaktować się z lokalną firmą odbierającą odpady.



Symbol przekreślonego kosza na śmieci oznacza, że tego produktu nie wolno wyrzucać do zwykłych pojemników na odpady.

Zużyte urządzenia elektryczne i elektronicznie mogą zawierać niebezpieczne składniki np. rtęć, ołów, kadm lub freon. Jeśli tego typu substancje przedostaną się w sposób niekontrolowany do środowiska, spowodują skażenie wody i gleby, a także wpłyną niekorzystnie na zdrowie ludzi i zwierząt. Właściwe postępowanie ze zużytym sprzętem

zapobiega potencjalnym negatywnym konsekwencjom dla środowiska naturalnego i ludzkiego zdrowia.

Jednocześnie oszczędzamy naturalne zasoby naszej Ziemi wykorzystując powtórnie surowce uzyskane z przetwarzania sprzętu.

TABLE DE MATIÈRES

1. BÉNÉFICES DE LA PRÉPARATION DU JUS	
A ROTATION LENTE	51
2. RÈGLES GÉNÉRALES DE SÉCURITÉ.....	51
3. CARACTÉRISTIQUES TECHNIQUES	54
4. ÉLÉMENTS DE L'EXTRACTEUR	
A ROTATION LENTE	54
5. DÉMARRAGE	55
6. UTILISATION DE L'EXTRACTEUR	
A ROTATION LENTE	57
7. CONSEILS.....	58
8. NETTOYAGE.....	58
9. DÉPANNAGE.....	59
10. GARANTIE.....	60
11. RETRAIT DE L'EXPLOITATION ET PROTECTION	
DE L'ENVIRONNEMENT.....	60

Cher client,

Merci d'avoir acheté cet appareil de Hendi. Veuillez lire attentivement ce mode d'emploi avant de brancher l'appareil afin d'éviter tout endommagement pour cause d'usage abusif. Veuillez notamment lire les consignes de sécurité avec la plus grande attention.

1. BENEFICES DE LA PREPARATION DU JUS A ROTATION LENTE

Un verre de jus pressé à basse vitesse comprend plus de fruits et de légumes qu'il est possible de manger à un moment. Lors de l'extraction lente il n'y a pas d'oxydation ou de stratification du jus et il est possible de conserver plus d'éléments nutritifs de la nourriture et de leur état naturel. Le jus frais obtenu de l'extraction à rotation lente est directement absorbé par le corps, en fournissant des éléments nutritifs et des vitamines importantes – le corps obtient tout ce qui est nécessaire pour une santé optimale. Vous pouvez également créer les différentes compositions de fruits et de légumes qui normalement ne pourraient pas être unis. L'extracteur à rotation lente

utilise un processus à 2 étapes dans lequel le jus est pressé deux fois avant d'atteindre le verre. La vis sans fin qui est élément de l'appareil presse soigneusement le produit sans le déchirer ou broyer en vous permettant d'obtenir plus de jus. L'extracteur à rotation lente produit du jus frais, nutritif avec plus d'éléments nutritifs et de vitamines nécessaires pour le fonctionnement quotidien. En outre, l'extracteur lente consomme moins d'énergie ce qui réduit les coûts et les émissions en carbone. Déjà le premier verre vous permettra de sentir la différence entre le jus acheté en magasin et le jus sain fraîchement pressé.

2. REGLES GENERALES DE SECURITE

En utilisant l'appareil électrique, vous devez suivre les règles de sécurité de base :

- L'utilisation abusive et le maniement incorrect de l'appareil peuvent entraîner une grave détérioration de l'appareil ou provoquer des blessures.
- L'appareil doit être utilisé uniquement pour le but il a été conçu. Le fabricant decline toute responsabilité en cas de dommage consécutif à un usage abusif ou un maniement incorrect.
- Veillez à tenir l'appareil et la prise électrique hors de portée de l'eau ou de tout autre liquide. Si malencontreusement l'appareil tombe dans l'eau, débranchez immédiatement la prise électrique et faites contrôler l'appareil par un réparateur agréé. La non-observation de cette consigne entraîne un risque d'accident mortel.
- Ne tentez jamais de démonter vous-même le bâti de l'appareil.
- N'enfoncez aucun objet dans la carcasse de l'appareil.
- Ne touchez pas la prise avec les mains mouillées ou humides.
- **Risque d'électrocution!** Ne tentez jamais de réparer l'appareil. Tous défauts et dysfonctionnement doivent être supprimés par le personnel qualifié.

FR



- **N'utilisez jamais l'appareil endommagé!** Débranchez l'appareil endommagé de l'alimentation électrique et contactez votre revendeur.
- **Avertissement:** N'immergez pas les pièces électriques de l'appareil dans l'eau ou dans d'autres liquides. Ne mettez pas l'appareil sous l'eau courante.
- Vérifiez régulièrement la fiche et le câble d'alimentation pour les dommages. La fiche ou le câble d'alimentation endommagé(e) transmettre pour la réparation au service ou à une personne qualifiée, pour prévenir tous les menaces ou les blessures possibles.
- Assurez-vous que le câble d'alimentation n'est pas en contact avec les objets pointus ou chauds ; gardez le câble loin des flammes nues. Pour retirer la fiche de la prise murale, tirez toujours en tenant la fiche et non le câble d'alimentation.
- Protégez le câble d'alimentation (ou la rallonge) contre le débranchement accidentel de la prise murale. Le câble doit être posé de manière ne provoquant pas les chutes accidentelles.
- Surveillez en permanence l'appareil pendant l'utilisation.
- **Avertissement !** Si la fiche est insérée dans la prise murale, l'appareil doit être considéré comme branché à l'alimentation.
- Avant de retirer la fiche de la prise, éteignez l'appareil !
- Ne transportez jamais l'appareil en tenant le câble.
- N'utilisez aucuns accessoires qui n'ont pas été fournis avec l'appareil. L'appareil doit être branché à la prise murale avec une tension et la fréquence indiquées sur la plaque signalétique.
- Insérez la fiche à la prise murale située dans un endroit facilement accessible de sorte qu'en cas de panne l'appareil puisse être immédiatement déconnecté. Pour éteindre complètement l'appareil, débranchez-le de la source d'alimentation. Pour cela, retirez la fiche à l'extrémité du câble d'alimentation de la prise murale.
- Eteignez l'appareil avant de débrancher l'appareil de la prise!
- N'utilisez jamais les accessoires non recommandés par le fabricant. L'utilisation des accessoires non recommandés peut présenter des risques pour l'utilisateur et provoquer les dommages à l'appareil. Utilisez uniquement des pièces et accessoires originaux.
- Cet appareil n'est pas apte à être utilisé par des personnes (enfants compris) avec capacités physiques, sensorielles ou intellectuelles diminuées ou ne possédant pas l'expérience et les connaissances suffisantes.
- Ne laissez jamais les enfants utiliser l'appareil.
- L'appareil et le câble d'alimentation doivent être stockés hors de la portée des enfants.
- Ne permettez pas aux enfants d'utiliser l'appareil pour jouer
- Débranchez toujours l'appareil de l'alimentation s'il doit être laissé sans surveil-

lance et également avant le montage, le démontage et le nettoyage.

- Ne laissez jamais l'appareil sans surveillance lorsqu'il est utilisé.
- N'utilisez pas dans l'appareil pour le traitement les produits trop durs ou trop fibreux (par exemple de la rhubarbe).
- Risques de brûlures ! N'utilisez pas l'appareil pour le traitement des aliments cuits, des liquides bouillants ou de la graisse chaude.
- Risque de blessure ! Soyez prudents lors de l'utilisation des couteaux tranchants, du nettoyage des outils tranchants et du nettoyage de tout l'appareil.
- Avant de remplacer les accessoires / les parties ou les composants qui sont en mouvement pendant l'utilisation arrêtez l'appareil.
- N'utilisez pas l'appareil en continu pendant une longue période pour éviter la surchauffe du moteur. Le temps du travail en continu ne peut pas dépasser 10 minutes. Laissez refroidir l'appareil si le boîtier est trop chaud. Utilisez l'appareil après son refroidissement.
- Gardez vos doigts, vos cheveux et les vêtements éloignés des éléments mobiles de l'appareil.
- Séchez l'appareil et tous les accessoires avant de connecter au réseau électrique ou avant d'installer les accessoires de l'appareil.
- N'utilisez jamais vos doigts ou d'autres objets (par exemple la spatule) pour pousser les ingrédients dans un tube d'alimentation pendant le fonctionnement de l'appareil. N'utilisez que le poussoir.
- N'utilisez jamais une cuillère, une spatule ou un outil pour retirer les ingrédients pendant le fonctionnement de l'appareil. Si vous avez besoin de retirer quelque chose du tube d'alimentation, vous devez toujours arrêter l'appareil et débrancher de la prise électrique.

FR

Mise à la terre

Le présent appareil est un appareil de la Ière classe de protection et doit être obligatoirement mis à la terre. En cas de court-circuit électrique, la mise à la terre réduit le risque de choc électrique en assurant une voie de décharge du courant électrique. L'appareil est équipé d'un cordon avec le câble de mise à la terre et la fiche avec la mise à la terre. La fiche doit être branchée à une prise électrique correctement installée et mise à la terre.

GARDEZ LE PRESENT MODE D'EMPLOI



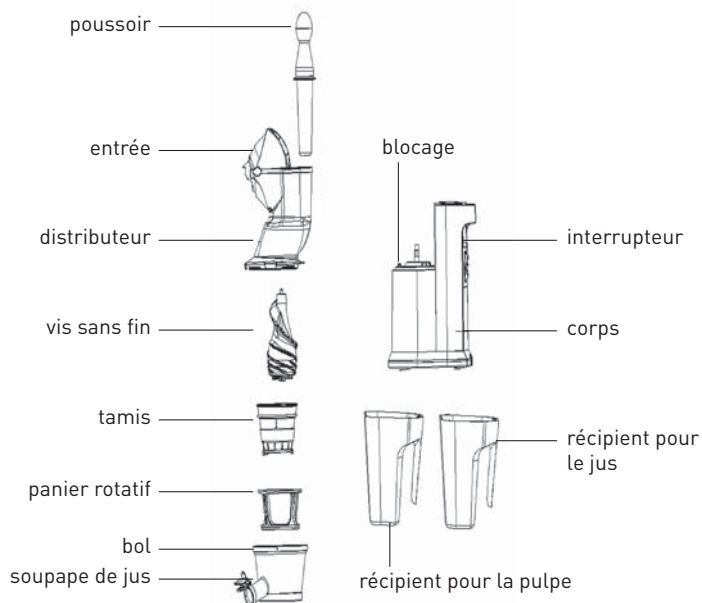
3. CARACTERISTIQUES TECHNIQUES

Modèle	221044
Dimensions	260x175x(H)545 mm
Tours	45 t/min.
Puissance	250 W
Fréquence	50 Hz
Tension	220-240 V
Poids	7,2 kg [net]
Classe de protection	Classe I

Le fabricant et le revendeur n'assument aucune responsabilité à des inexactitudes dues à des erreurs d'impression ou de transcription présente dans le mode d'emploi. Conformément à notre politique d'amélioration continue des produits

nous nous réservons le droit d'apporter sans préavis des modifications au produit, à l'emballage et aux spécifications contenues dans la documentation.

4. ELEMENTS DE L'EXTRACTEUR A ROTATION LENTE



5. DEMARRAGE

L'extracteur à rotation lente est fourni en état assemblé. Avant la première utilisation il est recommandé de démonter l'appareil et de laver les parties amovibles dans l'eau chaude avec un détergent doux. Rincez abondamment à l'eau

tiède et laissez sécher. Cela permettra d'éliminer la saleté éventuelle créée à l'usine ou pendant le transport. N'immergez jamais du corps de l'extracteur à rotation lente dans l'eau ou dans d'autres liquides.

5.1 MONTAGE

I. Placez le bol dans le corps. (Figure 1)

a. Assurez-vous que le bol adhère correctement au boîtier du corps.

b. Tournez le bol dans le sens horaire de sorte que la flèche sur le bol se trouve à la même place que la flèche sur le boîtier (Remarque : Si le bol n'est pas correctement installé dans le corps, l'appareil ne démarre pas).

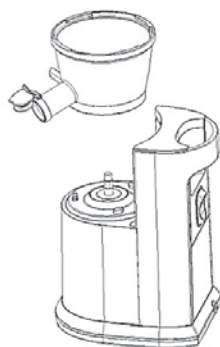
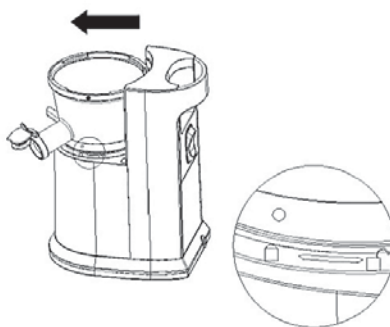


Fig. 1



II. Placez le tamis et le panier rotatif dans le bol. (Figure 2)

a. Assurez-vous que le creux du tamis est en ligne avec le point rouge sur le bol.

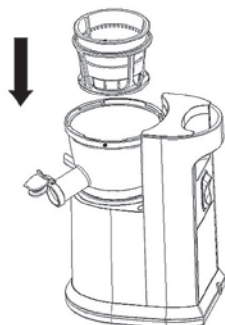
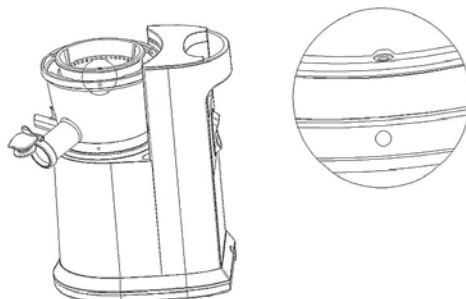


Fig. 2



III. Placez la vis sans fin à l'intérieur du bol. (Figure 3)

a. Tournez la vis sans fin dans le sens horaire jusqu'à ce qu'elle verrouille en sa place.

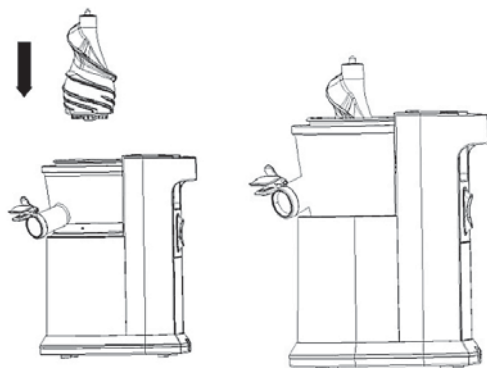


Fig. 3

IV. Montez le distributeur dans le bol.

a. Assurez-vous que le triangle sur le distributeur est en ligne avec le symbole d'un cadenas ouvert sur le bol (Figure 4)

b. Tournez le distributeur dans le sens horaire de sorte que le couvercle se verrouille (la flèche sur le distributeur est en ligne avec l'écriture CLOSED sur le corps. (Figure 5)

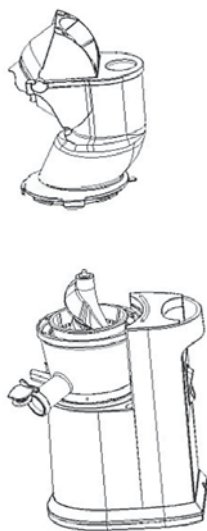


Fig. 4

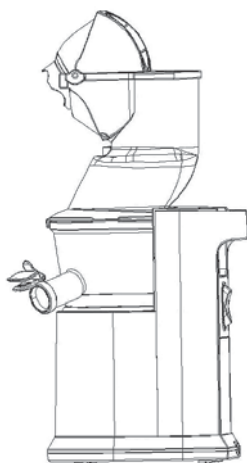


Fig. 5

6. UTILISATION DE L'EXTRACTEUR A ROTATION LENTE

1. Après le montage de tous les éléments, connectez le cordon d'alimentation à une source d'alimentation appropriée.
2. Placez l'un des récipients au-dessous de la sortie de la pulpe et le verre ou l'autre récipient placez au-dessous de la sortie du jus.
3. L'extracteur à rotation lente a trois fonctions (Figure 6)
 - a. ON – démarrage de l'appareil.
 - b. 0 – arrêt de l'appareil.
 - c. R – fonction REVERSE = le mouvement de la vis sans fin dans le sens opposé

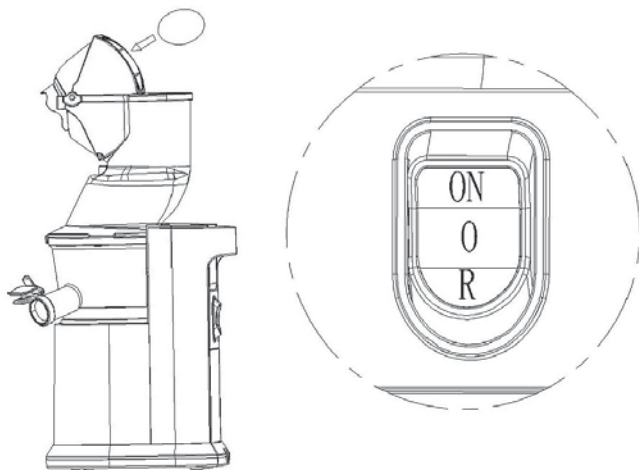


Fig. 6

4. Lavez soigneusement les produits avant de les mettre dans l'extracteur à rotation lente. Si les produits doivent être épluchés, vous ne devez pas les laver. Les produits doivent être coupés en petits morceaux pour qu'ils entrent facilement dans le distributeur. Nous recommandons de préparer les morceaux ne dépassant pas 7 cm. Retirez toutes les graines ou les noyaux durs parce qu'ils ne seront pas traités et peuvent endommager la vis sans fin.
 5. Lorsque vous mettez les produits dans l'extracteur à rotation lente, la vis sans fin tire automatiquement la nourriture et commence à presser le jus. **NE PUSSEZ PAS trop de produit à la fois.** Utilisez le poussoir fourni uniquement si les produits coincent dans le distributeur.
 6. Il est recommandé de mettre les produits lentement en permettant la séparation complète de la pulpe de fruits ou de légumes.
 7. Rappel : après avoir terminé le travail, éteignez l'extracteur à rotation lente. Ne démarrez pas l'extracteur à rotation lente sans mettre les produits à l'intérieur pour éviter la surchauffe du moteur.
 8. L'extracteur à rotation lente est équipé d'un mode unique de nettoyage lors du changement de type de jus. Pour nettoyer l'appareil il suffit de placer un récipient au-dessous de la sortie de jus et verser de l'eau dans le distributeur pendant le fonctionnement de l'appareil. Cela permet de supprimer la plupart des résidus. Lorsque de l'eau sortant est claire, cela signifie que l'appareil est propre et prêt à préparer une autre portion de jus.
- REMARQUE : Ce processus ne peut pas remplacer le nettoyage complet de toutes les pièces amovibles.**



7. CONSEILS

Lisez attentivement les instructions contenues dans le mode d'emploi et suivez les conseils parce que l'extracteur à rotation faible est utilisé de manière différente à l'extracteur traditionnel.

- Placez soigneusement les produits dans le distributeur. Utilisez le poussoir fourni uniquement si les produits coincent dans le distributeur. Ne poussez pas trop de produits à la fois.
- Pour obtenir les meilleurs résultats coupez les aliments en morceaux inférieurs à 7 cm.
- Pour obtenir de meilleurs résultats, mettez les produits lentement, en permettant la séparation de la pulpe. Ne mettez pas trop de produits et n'accélérez pas le processus de la pression.

- Ne mettez pas dans l'appareil des produits congelés ou de la glace.
- Il vaut mieux de combiner les produits à feuilles avec les fruits différents.

REMARQUE

Au fond de la cuvette il y a un joint d'étanchéité en silicone (Figure 7) qui empêche le jus de couler à travers la sortie de la pulpe. Lorsque vous utilisez l'extracteur à rotation lente, assurez-vous que le joint d'étanchéité en silicone est bien installé en place. Lors du nettoyage du bol, déplacez le joint d'étanchéité et rincez la sortie de pulpe pour éliminer les débris alimentaires.

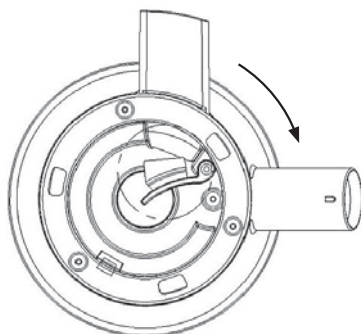


Fig. 7

8. NETTOYAGE

1. Débranchez l'appareil de la prise électrique.
2. Tournez le distributeur dans le sens antihoraire pour le déverrouiller.
3. Tournez le bol dans le sens antihoraire pour le déverrouiller et retirez l'ensemble.
4. Démontez l'ensemble dans l'ordre suivant :
 - a. Distributeur
 - b. Vis sans fin
 - c. Tamis
 - d. Panier rotatif
 - e. Bol

5. En utilisant le pinceau inclus nettoyez précisément chaque élément avec de l'eau chaude et un détergent doux. N'oubliez pas de supprimer le joint d'étanchéité en silicone pour éliminer les débris alimentaires de la sortie de pulpe.

Remarque :

- a. N'utilisez pas de produits nettoyants abrasifs ou d'éponges abrasives.**
 - b. Ne rincez pas et ne plongez pas l'extracteur à rotation lente dans l'eau.**
 - c. Avant de réutiliser l'extracteur à rotation lente séchez soigneusement toutes les pièces.**
6. Il est recommandé de nettoyer manuellement tous les éléments et ne pas mettre les éléments dans le lave-vaisselle.

8.1 LES SALETES DURES

Puisque les caroténoïdes contenus dans de nombreux légumes, en particuliers dans les carottes, sont un colorant fort, nous recommandons d'utiliser l'UNE des méthodes de nettoyage ci-dessus :

1. Faites tremper les pièces colorées de carotène dans l'eau savonneuse.

2. Nettoyez avec de l'eau chaude et du vinaigre de pommes dans des proportions égales.

3. Faites tremper dans l'eau chaude en ajoutant ½ d'emballage de bicarbonate de soude.

4. Faites tremper dans un évier rempli d'eau chaude et de ½ de tasse d'eau de Javel.

8.2 AUTRES CONSEILS POUR LE NETTOYAGE

- N'utilisez pas de nettoyeurs forts, l'ammoniaque ou les produits abrasifs pour le nettoyage de l'extracteur.

- Le nettoyage de l'extracteur à rotation lente directement après l'utilisation vous aidera à prévenir la formation des taches sur le bol et sur d'autres éléments.

9. DEPANNAGE

PROBLEME	SOLUTION
L'appareil ne fonctionne pas	<ul style="list-style-type: none">• Vérifiez le cordon et la source d'alimentation.• Vérifiez à ce que tous les éléments ont été installés correctement.
L'appareil s'est bloqué / a été coincé / ne fonctionne plus	<ul style="list-style-type: none">• Vérifiez que le distributeur n'est pas bloqué.• Vérifiez si avant de presser du jus toutes les graines dures ont été retirées et s'ils ne bloquent pas l'appareil.• Eteignez pas l'appareil et démarrez le mode inverse (REVERSE) pendant 3 secondes.• Démontez l'appareil et nettoyez la pulpe.
Le grincement est entendu lors du fonctionnement	<ul style="list-style-type: none">• Les bruits de grincement sont tout à fait normaux.• Ne faites pas fonctionner l'extracteur sans nourriture à l'intérieur.
La fuite à partir du fond du bol	<ul style="list-style-type: none">• Assurez-vous qu'après le nettoyage le joint d'étanchéité en silicone adhère correctement.
Endommagement du tamis	<ul style="list-style-type: none">• Lisez attentivement les instructions contenant le mode d'emploi et les conseils concernant la préparation du jus. Veillez à ne pas surcharger l'appareil et à ne pas pousser les produits dans l'extracteur.
Trop de pulpe sort de l'appareil	<ul style="list-style-type: none">• Coupez les aliments en petits morceaux, surtout les produits fibreux dont les fibres peuvent bloquer la vis sans fin. Mettez plus lentement les produits et attendez jusqu'à ce que toute la pulpe soit expulsée avant d'ajouter une portion suivante.
Le bol est bloqué et il ne peut pas être retiré du corps	<ul style="list-style-type: none">• D'habitude cela est généralement cause par trop de produits dans le bol.• Appuyez sur le bouton de marche inverse pendant 3 à 5 secondes.• Répétez le processus 2 à 3 fois. Ensuite soulevez le bol en le tournant.
Le distributeur / le couvercle bloqué	<ul style="list-style-type: none">• Appuyez sur le bouton de marche inverse pendant 3 à 5 secondes. Répétez le processus 2 à 3 fois. Ensuite vous pouvez presser le couvercle en haut en le tournant.



10. GARANTIE

Tout vice ou toute défaillance entraînant un dysfonctionnement de l'appareil qui se déclare dans les 12 mois suivant la date de l'achat sera éliminé à titre gratuit ou l'appareil sera remplacé par un appareil nouveau si le premier a été dûment exploité et entretenu conformément aux termes de la notice d'exploitation et s'il n'a pas été indûment exploité ou de manière non conforme à sa destination. La présente stipulation ne porte pas de préjudice aux autres droits de l'utilisateur prévus par les dispositions légales. Dans le cas où l'appareil est donné à la réparation ou doit être remplacé

dans le cadre de la garantie, il y a lieu de spécifier le lieu et la date de l'achat de l'appareil et produire un justificatif nécessaire (par ex. facture ou ticket de caisse).

Conformément à notre politique d'amélioration permanente de nos produits, nous nous réservons le droit d'introduire sans avertissement préalable des modifications à l'appareil, à l'emballage et aux caractéristiques techniques précisées dans la documentation.

11. RETRAIT DE L'EXPLOITATION ET PROTECTION DE L'ENVIRONNEMENT

L'équipement usé et retiré de l'exploitation doit être valorisé conformément aux dispositions légales et aux recommandations en vigueur à la date de son retrait.

Les matériaux d'emballage tels que matières plastiques et cartons doivent être déposés dans les bennes prévues pour le type du matériau considéré.



INDICE

1. VANTAGGI DELLA SPREMITURA LENTA	63
2. REGOLE GENERALI DI SICUREZZA.....	63
3. SPECIFICHE TECNICHE	66
4. ELEMENTI DELL'ESTRATTORE	
A LENTA ROTAZIONE.....	66
5. AVVIAMENTO	67
6. FUNZIONAMENTO DELL'ESTRATTORE	
A LENTA ROTAZIONE.....	69
7. CONSIGLI.....	70
8. PULIZIA	70
9. SOLUZIONE DEI PROBLEMI	71
10. GARANZIA	72
11. SMALTIMENTO & AMBIENTE	72

Gentile cliente,

grazie per aver acquistato questo apparecchio Hendi. Ti invitiamo a leggere queste istruzioni per l'uso con attenzione prima di collegare l'apparecchio al fine di evitare danni dovuti a uso improprio. Ti invitiamo inoltre a prestare particolare attenzione alle precauzioni di sicurezza.

1. VANTAGGI DELLA SPREMITURA LENTA

Un bicchiere di succo spremuto lentamente comprende più di frutta e verdura che si possono mangiare in una sola volta. La spremitura lenta non provoca l'ossidazione o la stratificazione del succo ed è possibile mantenere più sostanze nutritive dal cibo e il loro stato naturale. Il succo spremuto nell'estrattore a lenta rotazione è assorbito direttamente dal corpo, fornendo le sostanze nutritive e le vitamine importanti – il vostro corpo ottiene tutto il necessario per una salute ottimale. È inoltre possibile creare diverse composizioni di frutta e di verdura che normalmente non potrebbero essere combinate nell'insieme.

L'estrattore a lenta rotazione utilizza un processo

a 2 stadi in cui il succo viene spremuto dal prodotto due volte prima di raggiungere un bicchiere. La coclea, cioè un elemento principale dell'apparecchio sprema il prodotto precisamente senza strappare o grattare, consentendo di ottenere più succo.

L'estrattore a lenta rotazione produce il succo fresco con più sostanze nutritive e vitamine necessarie per il funzionamento di tutti i giorni. Inoltre, l'estrattore a lenta rotazione utilizza meno energia riducendo costi e le emissioni di carbonio. Già il primo bicchiere di succo permetterà osservare la differenza tra il succo acquistato in un negozio e il succo sano appena spremuto.

2. REGOLE GENERALI DI SICUREZZA

- L'uso scorretto e improprio dell'apparecchio possono danneggiare seriamente l'apparecchio e ferire gli utenti.
- L'apparecchio può essere utilizzato solo per lo scopo per cui è stato concepito e progettato. Il produttore non è responsabile di eventuali danni provocati da uso scorretto ed improprio.
- Tenere l'apparecchio e la spina elettrica lontani da acqua ed altri liquidi. Nel caso improbabile che l'apparecchio cada in acqua, staccare immediatamente la spina dalla presa e fare ispezionare l'apparecchio da un tecnico certificato. L'inosservanza delle presenti istruzioni può dare luogo a situazioni pericolose
- Non provare mai ad aprire l'involucro dell'apparecchio da soli.
- Non inserire oggetti nell'involucro dell'apparecchio.
- Non toccare la presa con le mani bagnate o umide.

IT



- **Pericoli di scosse elettriche!** Non tentare di riparare l'apparecchio da solo. Eventuali difetti e malfunzionamenti devono essere rimossi solo da personale qualificato.
- **Non usare l'apparecchio danneggiato!** L'apparecchio difettoso deve essere immediatamente scollegato dalla rete e contattare il rivenditore.
- **Attenzione:** Non immergere parti elettriche in acqua o altri liquidi. Non mettere l'apparecchio sotto l'acqua corrente.
- Controllare regolarmente se la spina e il cavo di alimentazione non sono danneggiati. La spina o il cavo danneggiati trasmettere al servizio o alla persona qualificata per riparare, per evitare eventuali pericoli e lesioni.
- Assicurarsi che il cavo di alimentazione non è in contatto con oggetti appuntiti o caldi. Tenere il cavo lontano da fiamme libere. Per scollegare la spina dalla presa, tirare sempre la spina, mai il cavo.
- Proteggere il cavo di alimentazione (o di estensione) per la sconnessione accidentale dalla presa. Disporre il cavo in modo per evitare lo slittamento accidentale.
- Sorvegliare l'apparecchio continuamente durante l'uso.
- **Attenzione!** Se la spina è inserita nella presa, l'apparecchio è considerato come collegato.
- Prima di rimuovere la spina dalla presa, spegnere l'apparecchio!
- Non trasportare l'apparecchio tenendo il cavo di alimentazione.
- Non utilizzare qualsiasi accessorio che non è stato fornito con l'apparecchio.
- L'apparecchio deve essere collegato ad una presa con tensione e frequenza indicate sulla targhetta.
- Inserire la spina nella presa situata in un punto facilmente accessibile in modo che in caso di guasto sia possibile scollegare immediatamente l'apparecchio. Per spegnere completamente l'apparecchio, scollegarlo dalla presa di corrente. Per questo staccare la spina che si trova sull'estremità del cavo di alimentazione.
- Prima di scollegare la spina, ricordarsi sempre di spegnere l'apparecchio!
- Non usare gli accessori non raccomandati dal produttore. L'uso di accessori non raccomandati può creare i rischi per l'utente e provocare i danni all'apparecchio. Usare unicamente solo pezzi ed accessori originali.
- L'installazione elettrica deve soddisfare le normative nazionali e locali applicabili. Questo apparecchio non è destinato all'uso da parte di persone (inclusi i bambini) con capacità fisiche, sensoriali o mentali ridotte, o senza esperienza e conoscenza.
- Non permettere ai bambini di utilizzare l'apparecchio.
- Tenere l'apparecchio con il cavo fuori dalla portata dei bambini.
- Non permettere ai bambini di giocare con l'apparecchio.

- Scollegare l'apparecchio dalla rete se esso deve essere lasciato incustodito e prima del montaggio, dello smontaggio o della pulizia.
- Non lasciare l'apparecchio incustodito durante l'utilizzazione.
- Non utilizzare l'apparecchio per la trasformazione dei prodotti troppo duri o con la struttura troppo fibrosa (ad esempio rabarbaro).
- Pericolo di ustioni! Non utilizzare l'apparecchio per trattamento dei prodotti cotti, liquidi bollenti o grasso caldo.
- Pericolo di lesioni! Prestare una particolare attenzione durante l'utilizzo di lame taglienti, la pulizia degli attrezzi da taglio e durante la pulizia dell'apparecchio.
- Spegnerne la macchina dalla rete elettrica prima di sostituire accessori/parti o componenti che sono in movimento durante l'uso.
- Non utilizzare l'apparecchio in continuo per un lungo periodo, per evitare il surriscaldamento del motore. Il tempo di lavoro continuo non può oltrepassare 10 minuti. Se la custodia è troppo calda, lasciare raffreddare l'apparecchio. Riutilizzare solo dopo il raffreddamento.
- Tenere le dita, i capelli, i vestiti e gli strumenti lontani dai componenti in movimento.
- Asciugare l'apparecchio e tutti gli accessori prima di collegare alla rete elettrica o prima dell'installazione di accessori per l'apparecchio.
- Non usare le dita o altri oggetti (ad esempio la spatola) per spingere gli ingredienti contenuti nel tubo di alimentatore durante il funzionamento dell'apparecchio. A questo scopo utilizzare unicamente il caricatore.
- Non usare un cucchiaino, una spatola o un attrezzo simile per rimuovere gli ingredienti durante il funzionamento dell'apparecchio. Se è necessario rimuovere qualcosa dal tubo di alimentatore, spegnere sempre l'apparecchio, poi scollegare la spina dalla presa elettrica.

Messa a terra

Il presente apparecchio è un apparecchio della I classe e deve essere messo a terra. In caso di corto circuito la messa a terra riduce il rischio di scosse elettriche assicurando una via di scarica del corrente elettrico. L'apparecchio è dotato di un cavo con un conduttore di terra e con presa messa a terra. La spina deve essere inserita in una presa di corrente correttamente installata e messa a terra.



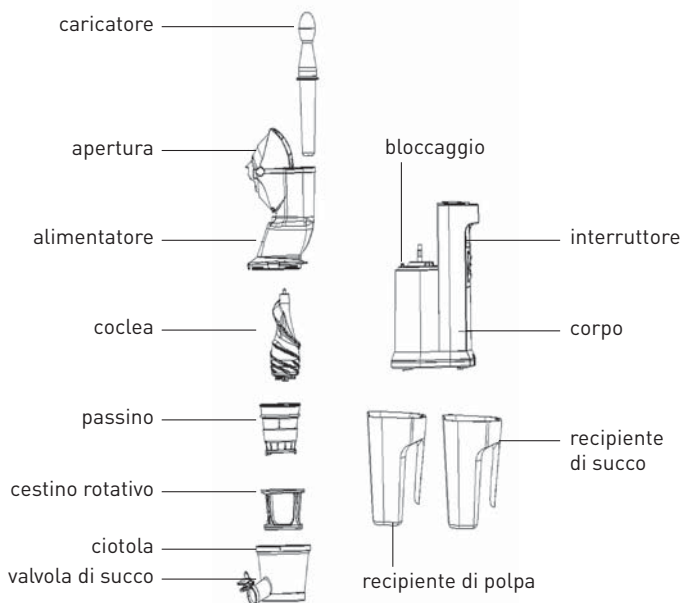
3. SPECIFICHE TECNICHE

Modello	221044
Dimensioni	260x175x(H)545 mm
Giri	45 gir/min.
Potenza	250 W
Frequenza	50 Hz
Tensione	220-240 V
Peso	7,2 kg [netto]
Classe di protezione	Classe I

Il produttore e il rivenditore non è responsabile per eventuali imprecisioni dovute ad errori di stampa o di trascrizione che sono presenti in queste istruzioni per l'uso. In conformità con la

nostra politica di miglioramento continuo dei prodotti, ci riserviamo il diritto di apportare senza preavviso modifiche al prodotto, all'imballaggio, alle specifiche contenute nella documentazione.

4. ELEMENTI DELL'ESTRATTORE A LENTA ROTAZIONE



5. AVVIAMENTO

L'estrattore a lenta rotazione è fornito completamente assemblato. Prima del primo utilizzo si consiglia di smontare l'apparecchio e lavare le parti rimovibili in acqua tiepida con un detergente delicato. Risciacquare abbondantemente

con acqua tiepida e lasciare asciugare. Questo permette eliminare lo sporco eventuale prodotto in fabbrica o durante il trasporto. Non immergere mai il corpo di un estrattore a lenta rotazione in acqua o in altri liquidi.

5.1 MONTAGGIO

I. Mettere la ciotola nel corpo. (Figura 1)

a. Assicurarsi che la ciotola aderisce correttamente al contenitore del corpo.

b. Girare la ciotola in senso orario in modo che la freccia sulla ciotola sia nello stesso punto che la freccia sul corpo (Nota: Se la ciotola non è posizionata correttamente nel corpo l'apparecchio non si avvia).

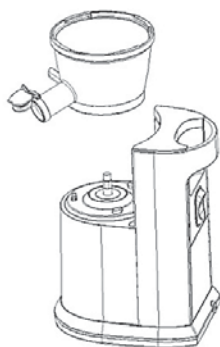
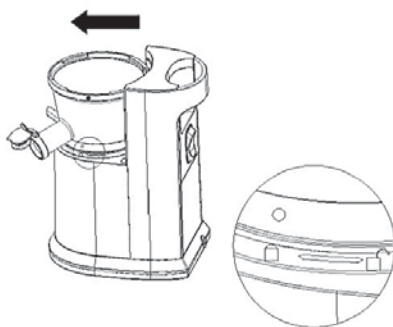


Fig. 1



II. Posizionare il passino e il cestino rotativo nella ciotola. (Figura 2)

a. Assicurarsi che l'incavo del passino è in linea con il puntino rosso sulla ciotola.

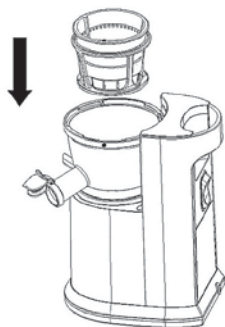
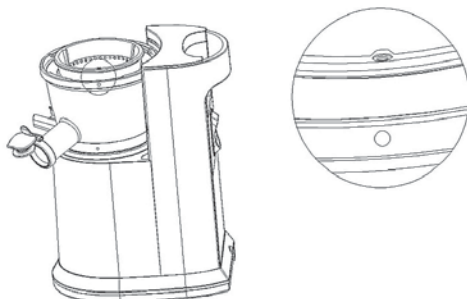


Fig. 2



III. Posizionare la coclea fine all'interno della ciotola. (Figura 3)

a. Girare la coclea in senso orario fino a quando si trova in posizione corretta.

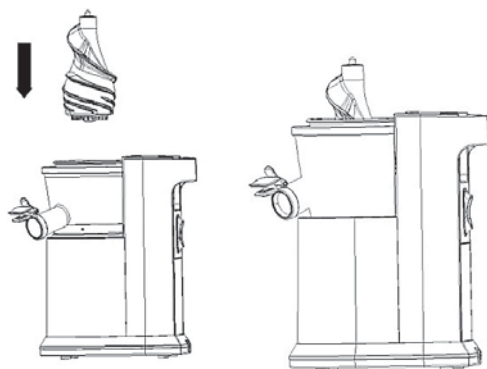


Fig. 3

IV. Montare l'alimentatore nella ciotola.

a. Assicurarsi che il triangolo sull'alimentatore è in linea con il simbolo di un lucchetto aperto sulla ciotola. (Figura 4)

b. Ruotare l'alimentatore in senso orario fino a quando il coperchio si blocca (La freccia sull'alimentatore sarà in linea con la scritta CLOSED sul corpo. (Figura 5)

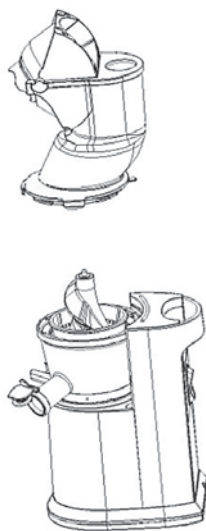


Fig. 4

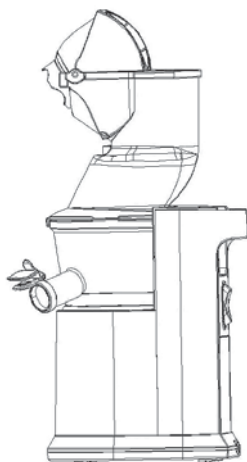


Fig. 5

6. FUNZIONAMENTO DELL'ESTRATORE A LENTA ROTAZIONE

1. Dopo aver installato correttamente le parti collegare il cavo di alimentazione ad una presa di corrente adeguata.
2. Mettere un recipiente sotto l'uscita della polpa e mettere un bicchiere o un altro recipiente sotto l'uscita del succo.
3. L'estrattore a lenta rotazione ha 3 impostazioni (Figura 6)
 - a. ON – avviamento dell'estrattore.
 - b. 0 - arresto.
 - c. R - funzione INDIETRO = il movimento della coclea in direzione opposta

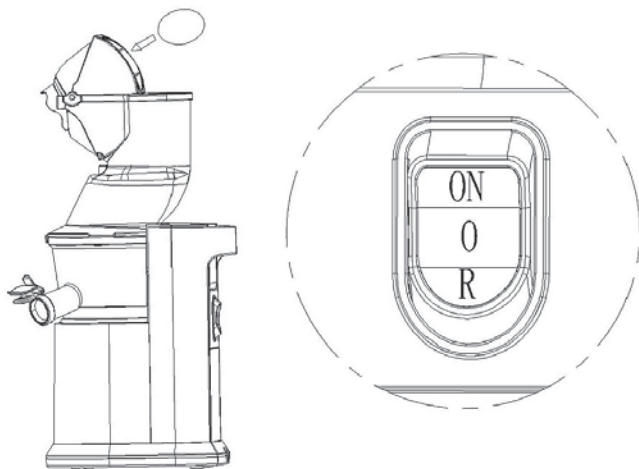


Fig. 6

4. Prima di mettere i prodotti nell'estrattore a lenta rotazione essi devono essere lavati. Se i prodotti devono essere sbucciati, il lavaggio non è necessario. I prodotti devono essere tagliati in pezzi più piccoli per adattarsi nell'alimentatore. Consigliamo di preparare i pezzi non più grandi di 7 cm. Si deve rimuovere eventuali semi duri o noccioli perché essi non saranno trattati e possono danneggiare la coclea.
5. Dopo aver messo i prodotti nell'estrattore a lenta rotazione la coclea tirerà automaticamente i prodotti e comincerà la spremitura. **NON stipare o mettere troppi prodotti in una sola volta.** Il caricatore fornito con l'estrattore a lenta rotazione deve essere utilizzato solo se il cibo è bloccato nell'alimentatore.
6. Si raccomanda di mettere i prodotti lentamente, permettendo la completa separazione della polpa di frutta e verdura.
7. Ricordare: dopo aver terminato il lavoro spegnere l'estrattore a lenta rotazione. Non mettere in funzione l'estrattore a lenta rotazione senza i prodotti per non causare il surriscaldamento del motore.
8. L'estrattore a lenta rotazione è dotato di una modalità unica di pulizia al. Momento di cambiamento di tipo di succo. Per pulire l'apparecchio bisogna mettere un contenitore sotto l'uscita di succo e versare l'acqua nell'alimentatore durante il funzionamento. Questo permette risciacquare la maggior parte di residui dalla spremitura precedente. Quando l'acqua sarà chiara, l'apparecchio è pulito e pronto per preparare un'altra porzione di succo.

NOTA: Questo processo non può sostituire la pulizia completa di tutte le parti rimovibili.



7. CONSIGLI

Si consiglia di leggere attentamente le istruzioni e seguire i consigli perché il funzionamento dell'estrattore a lenta rotazione è diverso rispetto al spremiagrumi tradizionale.

- Mettere con prudenza i prodotti nell'alimentatore. Utilizzare il caricatore fornito con l'estrattore a lenta rotazione solo se il cibo è bloccato nell'alimentatore. Non stipare o mettere troppi prodotti in una sola volta.
- Tagliare il cibo a pezzi non più grandi di 7 cm per ottenere i migliori risultati.
- Per ottenere i migliori risultati mettere i prodotti lentamente consentendo la separazione della polpa. Non mettere troppi prodotti e non accelerare il processo di spremitura.

- Non mettere prodotti congelati o ghiaccio.
- Si consiglia di combinare i prodotti a foglia con diverse frutta.

NOTA

Al fondo della vasca c'è una guarnizione in silicone (figura 7) per evitare le fuoriuscite del succo attraverso dell'uscita della polpa. Durante l'utilizzo dell'estrattore a lenta rotazione, assicurarsi che la guarnizione in silicone sia correttamente installata nella sua posizione. Durante la pulizia della ciotola spostare la guarnizione e risciacquare l'uscita di polpa per rimuovere i residui di cibo.

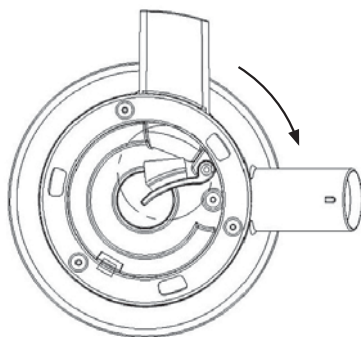


Fig. 7

8. PULIZIA

1. Spegner e scollegare l'apparecchio dalla rete elettrica.
2. Ruotare l'alimentatore in senso antiorario per sbloccarlo.
3. Ruotare la ciotola in senso antiorario per sbloccarla e rimuovere il tutto.
4. Smontare il tutto nel seguente ordine:
 - a. alimentatore
 - b. coclea
 - c. passino
 - d. cestino rotativo
 - e. ciotola
5. Utilizzando la spazzola fornita pulire accuratamente ogni pezzo con acqua tiepida e detergente delicato. Non dimenticare di spostare la guarnizione in silicone sotto la ciotola per rimuovere eventuali residui di polpa dall'uscita di polpa.

Nota:

 - a. **Non utilizzare detersivi abrasivi o spugne abrasive.**
 - b. **Non risciacquare o immergere il corpo dell'estrattore a lenta rotazione in acqua.**
 - c. **Prima di riutilizzare l'apparecchio asciugare accuratamente tutti gli elementi.**
6. Si raccomanda la pulizia manuale di tutti gli elementi. Non mettere alcuna parte dell'estrattore a lenta rotazione in lavastoviglie.



8.1 SPORCO RESISTENTE

Perché i carotenoidi contenuti in molte verdure, soprattutto in carote, sono fortemente coloranti, consigliamo di utilizzare UNO dei seguenti metodi di pulizia:

1. Mettere a bagno le parti macchiate di carotene in acqua saponata.
2. Pulire con acqua tiepida e aceto di mele in parti uguali.
3. Mettere a bagno in acqua tiepida con ½ di pacchetto di bicarbonato di sodio.
4. Mettere a bagno in un lavandino pieno di acqua calda e ½ di tazza di candeggina.

8.2 ALTRI CONSIGLI PER LA PULIZIA

- Non utilizzare per la pulizia dell'estrattore a lenta rotazione detergenti forti, ammoniacca o altri prodotti abrasivi.
- La pulizia dell'estrattore a lenta rotazione direttamente dopo ogni utilizzo aiuterà a prevenire la formazione di macchie sulla ciotola o su altri elementi.

9. SOLUZIONE DEI PROBLEMI

PROBLEMA	SOLUZIONE
Apparecchio non funziona	<ul style="list-style-type: none">• Controllare il cavo e la fonte di alimentazione.• Assicurarsi che tutti i componenti sono stati installati correttamente.
Apparecchio si è bloccato/è intasato o ha smesso di funzionare	<ul style="list-style-type: none">• Verificare che l'alimentatore non è bloccato.• Prima di preparare il succo verificare che sono stati rimossi i semi duri e che non bloccano l'apparecchio.• Spegner l'apparecchio e avviare la modalità inversa (INDIETRO) per 3 secondi.• Smontare l'apparecchio e rimuovere la polpa.
Durante la spremitura si sente lo stridere	<ul style="list-style-type: none">• Lo stridere è assolutamente normale.• Non utilizzare l'estrattore senza cibo.
Fuoriuscite dal fondo della ciotola	<ul style="list-style-type: none">• Assicurarsi che dopo la pulizia la guarnizione in silicone aderisce correttamente.
Danni al passino	<ul style="list-style-type: none">• Leggere le istruzioni contenenti le istruzioni d'uso e i consigli riguardanti la spremitura del succo. Fare attenzione a non riempire troppo l'apparecchio e non stipare i prodotti nell'estrattore.
Troppa polpa esce dall'apparecchio	<ul style="list-style-type: none">• Tagliare il cibo in pezzi più piccoli, soprattutto i prodotti in fibra le cui fibre possono bloccare la coclea. Mettere più lentamente i prodotti e attendere che tutta la polpa viene espulsa prima di aggiungere altri prodotti.
La ciotola si è bloccata e non può essere rimossa dal corpo	<ul style="list-style-type: none">• Di solito questo è causato da troppi prodotti nella ciotola. Premere il pulsante di modalità inversa per 3-5 secondi.• Ripetere il processo 2-3 volte. Poi ruotare e sollevare la ciotola.
L'alimentatore/il coperchio bloccato	<ul style="list-style-type: none">• Premere il pulsante di modalità inversa per 3-5 secondi. Ripetere il processo 2-3 volte. Poi è possibile premere il coperchio ruotandolo.



10. GARANZIA

Qualsiasi difetto che influenza la funzionalità del dispositivo che compaia entro un anno dall'acquisto sarà corretto a titolo interamente gratuito o con la sostituzione del prodotto che è stato utilizzato e sottoposto a manutenzione corretta seguendo le istruzioni, senza alcuna violazione. I diritti legali del cliente non sono assolutamente modificati. Nel caso in cui l'intervento di manutenzione o sostitu-

zione sia previsto nel periodo di validità della garanzia, precisare dove e quando si è acquistato il prodotto, possibilmente allegando lo scontrino.

In linea con la nostra politica di sviluppo continuo dei prodotti, ci riserviamo il diritto di modificare il prodotto, l'imballo e le specifiche di documentazione, senza notifica alcuna.

11. SMALTIMENTO & AMBIENTE

Alla fine della vita utile del dispositivo, smaltire conformemente alle normative e linee guida applicabili.

Eliminare i materiali di imballaggio, quali plastica e cartone, negli specifici contenitori.



CUPRINS

1. DIFERENȚA STOARCERII LENTE	75
2. REGULAMENTE PRIVIND SIGURANȚA.....	75
3. DATE TEHNICE	78
4. COMPONENTELE STORCĂTORULUI LENT	78
5. FUNCȚIONARE	79
6. UTILIZAREA STORCĂTORULUI LENT	81
7. SFATURI PENTRU STOARCERE LENTĂ.....	82
8. CURĂȚARE	82
9. DEPANARE	83
10. GARANȚIE.....	84
11. ELIMINAREA ȘI MEDIUL ÎNCONJURĂTOR	84

Stimate client,

Vă mulțumim pentru achiziționarea acestui aparat Hendi. Vă rugăm să citiți cu atenția acest manual înainte de a conecta aparatul pentru evitarea defectării ca urmare a utilizării incorecte. Acordați o atenție deosebită regulilor de siguranță.

1. DIFERENȚA STOARCERII LENTE

Storcerea lentă vă permite să consumați mai multe fructe și legume într-un singur pahar decât ați putea mânca o dată. Nu există nici o oxidare sau separare în storcerea lentă, astfel încât se păstrează mai mult din nutrienții organici din produsele alimentare menținându-se mai aproape de starea sa naturală. Sucul proaspăt dintr-un storcător lent este absorbit direct în organism permițând aportul de vitamine importante și nutrienți din mâncare - corpul dvs. primește tot ce are nevoie pentru o sănătate optimă. În plus, aveți posibilitatea să realizați o mare varietate de rețete de sucuri pentru a vă bucura de fructele și legumele pe care, în mod normal, nu le puteți mânca întregi.

Storcătorul lent folosește un proces de 2 etape în care sucul este extras din fructe sau legume de două ori înainte de a intra în paharul dvs. Melcul, componenta principală a unității, stoarce alimentul fără a-l mărunți sau măcina, ajutându-vă să obțineți mai mult suc în paharul dvs. Storcătorul lent produce suc proaspăt și sănătos, care este dotat cu mai multe vitamine și substanțe nutritive necesare pentru a trăi de zi cu zi. În plus, Storcătorul lent utilizează mai puțină energie, economisind bani și ajutând la scăderea amprenteii de carbon. Doar un pahar și veți experimenta direct diferența dintre suc cumpărat de la magazin și bunătatea proaspătă, sănătoasă.

RO

2. REGULAMENTE PRIVIND SIGURANȚA

- Operarea incorectă și utilizarea necorespunzătoare a aparatului poate avaria grav aparatul și poate cauza răni oamenilor.
- Aparatul poate fi folosit doar în scopul pentru care a fost proiectat. Producătorul nu este răspunzător pentru orice avariere cauzată operării incorecte și a utilizării necorespunzătoare.
- Asigurați-vă că aparatul și ștecherul nu intră în contact cu apă sau alte lichide. În cazul în care aparatul este scăpat în apă, scoateți imediat ștecherul din priză și un tehnician Autorizat trebuie să-l verifice. Dacă nu respectați aceste instrucțiuni, acest lucru poate cauza situații care vă pot pune viața în pericol.
- Nu încercați să deschideți singuri carcasa aparatului.
- Nu introduceți nici un fel de obiecte în carcasa aparatului.
- Nu atingeți ștecherul cu mâinile ude sau umede.
- **Pericol de electrocutare!** Nu încercați să reparați singur/ă aparatul. În cazul unei defecțiuni, reparațiile vor fi efectuate întotdeauna numai de personal calificat.



- **Nu utilizați niciodată un aparat defect!** Deconectați aparatul de la priza electrică și contactați distribuitorul în cazul unei defecțiuni.
- **Avertisment!** Nu scufundați părțile electrice ale aparatului în apă sau în alte lichide. Nu țineți niciodată aparatul sub jet de apă.
- Verificați în mod regulat ștecărul și cablul pentru a vă asigura că nu sunt deteriorate. În cazul în care ștecărul sau cablul de alimentare este deteriorat, acesta trebuie înlocuit de agentul de service sau de alt personal calificat similar pentru a evita orice pericol.
- Cablul nu trebuie să intre în contact cu obiecte ascuțite sau fierbinți și trebuie păstrat departe de foc. Pentru a scoate ștecărul din priză, trageți întotdeauna de ștecăr, nu de cablu.
- Asigurați-vă că nimeni nu poate trage din greșeală cablul (sau prelungitorul) și că nimeni nu se poate împiedica de el.
- Supravegheați întotdeauna aparatul atunci când este în funcțiune.
- **Avertisment!** Atât timp cât ștecărul este în priză, aparatul este conectat la sursa de electricitate.
- Opriți aparatul înainte de a scoate ștecărul din priză.
- Nu cărați niciodată aparatul ținându-l de cablu.
- Nu utilizați dispozitive suplimentare care nu sunt livrate împreună cu aparatul.
- Conectați aparatul doar la prize electrice cu intensitatea și frecvența electrice menționate pe eticheta aparatului.
- Conectați cablul de alimentare la o priză electrică ușor accesibilă, astfel încât aparatul să poată fi deconectat imediat în caz de urgență. Scoateți cablul de alimentare din prize electrice pentru a opri complet aparatul. Utilizați cablul de alimentare ca dispozitiv de deconectare.
- Opriți întotdeauna aparatul înainte de a deconecta cablul de alimentare.
- Nu utilizați niciodată accesorii care nu sunt recomandate de către producător. Acestea pot reprezenta un risc de siguranță pentru utilizator și pot deteriora aparatul. Utilizați numai piese și accesorii originale.
- Acest aparat nu trebuie folosit de copii sau persoane care au capacități mentale, senzoriale sau fizice reduse, sau lipsă de experiență și cunoștințe.
- Acest aparat nu trebuie utilizat sub nicio formă de către copii.
- Nu țineți produsul și cablurile sale la îndemâna copiilor.
- Copiii nu trebuie să se joace cu acest produs.
- Deconectați întotdeauna aparatul de la sursa de alimentare în cazul în care este lăsat nesupravegheat, precum și înainte de asamblare, dezasamblare sau curățare.

- Nu lăsați niciodată aparatul nesupravegheat pe parcursul utilizării.
- Nu folosiți aparatul pentru a procesa alimente excesiv de dure sau fibroase (ex. Rubarbă).
- Pericol de arsuri! Nu folosiți aparatul în timpul procesului de preparare, cu lichide sau grăsimi fierbinți.
- Pericol de rănire! Atenție sporită la manipularea lamelor de tăiere ascuțite, golierea instrumentelor de tăiere și în timpul curățării.
- Opriți aparatul și deconectați alimentarea înainte de a schimba accesorii/ piese sau înainte de apropierea de piese care se mișcă în timpul utilizării.
- Nu folosiți în mod continuu aparatul pentru mult timp pentru a evita supraîncălzirea motorului. Timpul de funcționare continuă nu trebuie să depășească 10 minute. Lăsați aparatul să se răcească în cazul în care carcasa aparatului devine prea fierbinte. Utilizați aparatul din nou după ce s-a răcit.
- Țineți degetele, părul, hainele și ustensilele departe de toate piesele mobile.
- Se usucă aparatul și toate accesoriile / înainte de a se conecta la sursa de alimentare și înainte de atașarea accesoriilor.
- Nu utilizați niciodată degetele sau un obiect (de exemplu, spatulă) pentru a împinge ingredientele în jos în tubul de alimentare în timp ce aparatul este în funcțiune. Utilizați numai împingătorul în acest scop.
- Nu utilizați niciodată o lingură, o spatulă sau altă ustensilă similară pentru a scoate ingredientele în timpul funcționării. În cazul în care trebuie să scoateți ceva din tubul de alimentare, opriți întotdeauna aparatul și deconectați-l înainte de a face acest lucru.

Instalație de împământare

Acesta este un aparat din clasa I. Acest aparat trebuie împământat. În cazul unui scurtcircuit, împământarea reduce riscul de electrocutare prin asigurarea unui fir de descărcare pentru curentul electric. Acest aparat este dotat cu un cablu ce are un fir de împământare și un ștecăr cu împământare. Ștecherul trebuie legat la o priză montată și împământată corect.



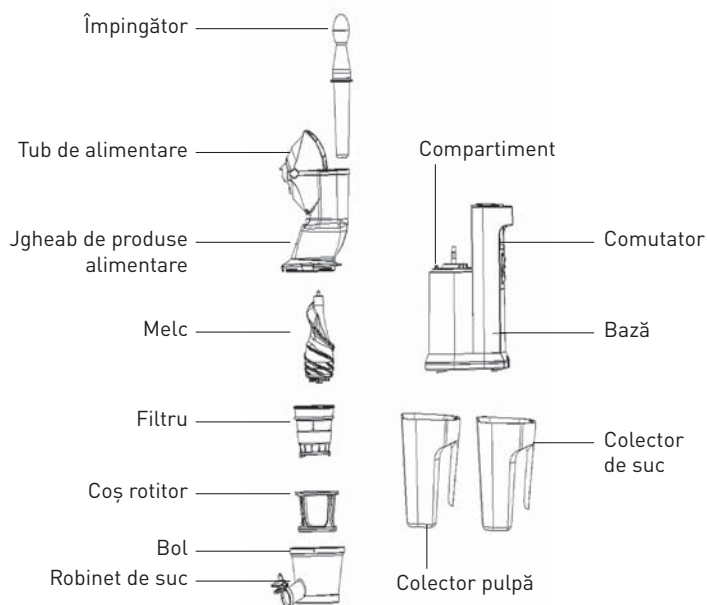
3. DATE TEHNICE

Model	221044
Dimensiuni	260x175x(H)545 mm
Viteză	45 RPM
Putere nominală	250 W
Frecvență nominală	50 Hz
Tensiune nominală	220-240 V
Greutate	7,2 kg
Clasă de protecție	CLASA I

Producătorul și vânzătorul nu sunt răspunzători pentru inexactitățile cauzate de erori de tipărire sau transcriere apărute în acest manual. În conformitate cu politica noastră de îmbunătățire

continuă a produselor, ne rezervăm dreptul de a aduce modificări produsului, ambalajului și specificațiilor din documentație fără o notificare prealabilă.

4. COMPONENTELE STORCĂTORULUI LENT



5. FUNCȚIONARE

Storcătorul lent este practic asamblat direct din cutie. Vă sugerăm să-l scoateți afară și să spălați piesele detașabile în apă caldă cu detergent lichid non-abraziv înainte de prima utilizare. Clătiți bine cu apă caldă și lăsați să se usuce. Acest

lucru va elimina orice urme de praf sau reziduuri din fabricație sau de la transportul maritim. Nu scufundați niciodată baza motorului Storcătorului lent în apă sau orice alt lichid.

5.1 ASAMBLARE

I. Asamblați bolul la bază. (Figura 1)

a. Asigurați-vă că bolul se potrivește în carcasa bazei.

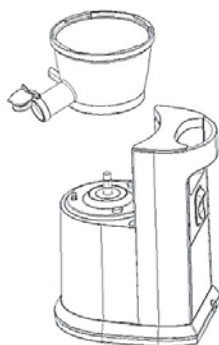
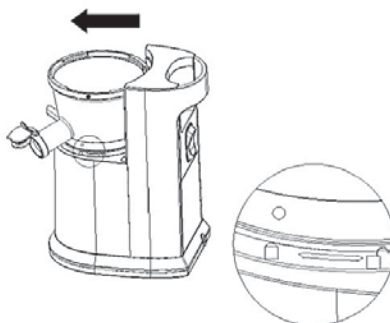


Fig. 1

b. Aliniați săgeata de pe bol cu săgeata de pe bază, răsuciți în sens orar ușor pentru a bloca. (Notă: În cazul în care bolul nu este blocat complet pe bază, aparatul nu va porni.)



RO

II. Asamblarea filtrului și a coșului rotitor pe bol. (Figura 2)

a. Asigurați-vă că gaura adâncă de pe filtrul coșului se aliniaază cu punctul roșu de pe bol.

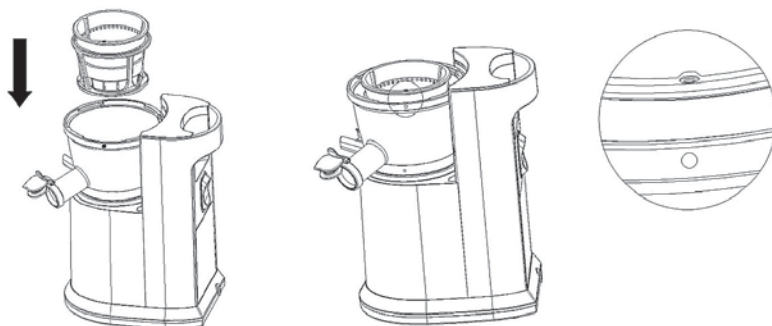


Fig. 2



III. Așezați melcul în centrul bolului. (Figura 3)

a. Răsuciți Melcul în sens orar până când acesta se așează pe poziție.

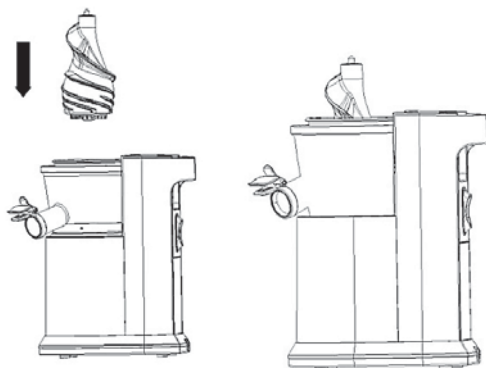


Fig. 3

IV. Așezați jgheabul pe bol.

a. Asigurați-vă că triunghiul rabatabil de pe jgheab este aliniat cu semnul deblocat de pe bol. (Figura 4)

b. Rotiți jgheabul în sens orar până când capacul se fixează în poziția de blocare. (Săgeata de pe jgheab se va alinia cu cuvântul ÎNCHIS de pe baza motorului. (Figura 5)

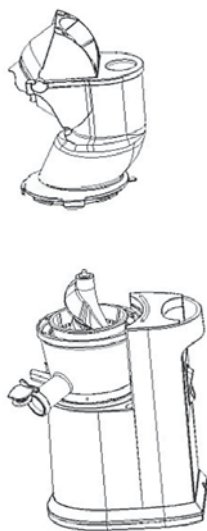


Fig. 4



Fig. 5

6. UTILIZAREA STORCĂTORULUI LENT

1. După ce toate piesele sunt introduse în siguranță în locul lor, conectați cablul de alimentare la o sursă de alimentare aprobată.
2. Puneți unul dintre colectoare sub robinetul pentru pulpă, sau un pahar sau celălalt colector sub duza de suc.
3. Storcătorul lent are 3 setări (Figura 6)
 - a. PORNIT - aceasta pornește motorul pentru stoarcere.
 - b. 0 - această oprește funcționarea.
 - c. R - aceasta mută melcul în direcția opusă.

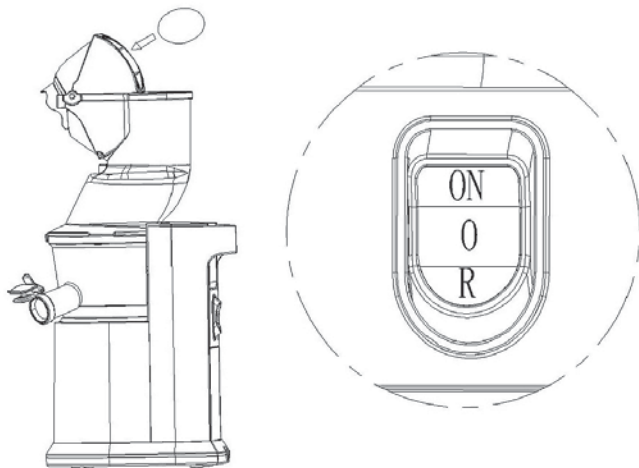


Fig. 6

4. Înainte de a introduce produsele în Storcătorul lent, asigurați-vă că toate produsele au fost spălate cu atenție, în cazul în care produsele trebuie să fie decojite, nu este nevoie ca acestea să se spele. De asemenea, asigurați-vă că tăiați toate produsele la o dimensiune corespunzătoare astfel încât să încapă cu ușurință în jgheabul de produse, vă recomandăm ca bucățile să nu aibă mai mult de 3 inci.
*Asigurați-vă că eliminați semințele sau sâmburiile, cum ar fi sâmburiile de cireșe sau prune, deoarece aceștia nu se vor procesa în storcător și pot deteriora melcul.
5. Atunci când introduceți un produs alimentar în storcătorul lent, melcul va trage automat produsele, și va începe să stoarcă imediat. **NU împingeți, forțați, sau îndesați unitatea.** Împingătorul furnizat cu storcătorul lent este utilizat numai atunci când produsele obstrucționează interiorul jgheabului.
6. Cel mai bine este să introduceți toate produsele într-un ritm lent, permițând pulpei să fie extrasă din fructe sau legume complet.
7. Memento: opriți storcătorul lent atunci când stoarcerea este completă. Nu porniți storcătorul lent, fără nici un aliment în interiorul unității, deoarece aceasta ar putea supraîncălzi motorul.
8. Storcătorul lent are un proces unic de curățare la comutarea între diferite tipuri de sucuri. Pentru a curăța, pur și simplu introduceți unul dintre colectoare sub duza de suc și turnați apă în jgheab în timp ce aparatul este pornit. Acest lucru va ajuta la clătirea rezidului rămas din ultima stoarcere. Atunci când apa din storcătorul lent începe să curgă clar, este un indiciu că unitatea este curată și gata pentru a face o nouă rețetă de suc.

NOTĂ: Acest proces nu este o alternativă la o curățare completă a fiecărei părți dezasamblate.



7. SFATURI PENTRU STOARCERE LENTĂ

Vă rugăm să citiți manualul de instrucțiuni cu atenție și urmați sugestiile de mai jos privind stoarcerea pentru rezultate mai bune, pentru că un storcător lent are instrucțiuni diferite de utilizare decât un storcător tradițional.

- Introduceți cu grijă produsele alimentare în jgheab. Împingătorul storcătorului lent oferit este numai pentru utilizarea în cazul în care orice produs alimentar obstrucționează interiorul jgheabului. Nu îndesați, împingeți sau forțați produsele în jos.
- Tăiați produsele în bucăți nu mai mari de 3 inci pentru cele mai bune rezultate de stoarcere.
- Pentru rezultate optime, introduceți alimentele lent pentru a permite să fie extrasă pulpa, nu în-

desați sau grăbiți procesul de extragere a sucului.

- Nu puneți nici un fel de fructe, legume congelate sau gheață în unitate.
- Combinați frunze verzi cu o varietate de fructe pentru cele mai bune rezultate.

NOTĂ

La fundul vasului, există un suport din silicon (Figura 7), care previne ieșirea sucului prin ejectorulpă. Când se utilizează storcătorul lent, asigurați-vă că suportul din silicon este pus la locul lui. Atunci când curățați bolul, asigurați-vă că scoateți stratul de silicon pentru a trece robinetul pentru pulpă într-un jet de apă pentru a îndepărta excesul de resturi alimentare.

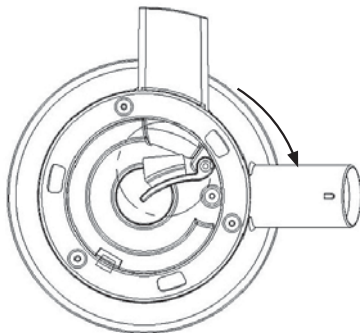


Fig. 7

8. CURĂȚARE

1. Oprii mașina și deconectați de la sursa de alimentare.
2. Întoarceți jgheabul invers acelor de ceasornic pentru a debloca.
3. Rotiți bolul invers acelor de ceasornic în poziția de deblocare și ridicați întreaga secțiune.
4. Demontați unitatea superioară în următoarea ordine:
 - a. Jgheab
 - b. Melc
 - c. Filtru
 - d. Coș rotativ
 - e. Bol
5. Utilizați Perie de curățat inclusă pentru a curăța bine fiecare dintre piesele demontate folosind apă caldă cu săpun. Amintiți-vă să scoateți stratul de silicon de sub bol pentru a curăța resturile rămase în robinetul pentru pulpă.

Vă rugăm să rețineți:

 - a. Nu utilizați o lavetă abrazivă sau lichide abrazive.
 - b. Nu clătiți baza Storcătorului lent sau scufundați baza în apă.
 - c. Uscați toate atașamentele Storcătorului lent înainte de reutilizare.
6. Spălarea mâinilor este recomandată pentru toate componentele unității superioare. Vă rugăm să nu așezați niciuna dintre părțile Storcătorului lent în mașina de spălat vase.

8.1 PENTRU PETELE DIFICILE



Deoarece există mai multe proprietăți de colorare puternice ale carotenoidele care se găsesc în multe legume, în special morcovi, vă sugerăm să utilizați UNA din următoarele proceduri de curățare:

1. Se înmoaie în apă cu săpun.

2. Părți egale de apă caldă cu oțet de cidru.

3. Se înmoaie în bicarbonat de sodiu, cutie ½, și apă caldă.

4. ½ cană înălbitor într-o chiuvetă plină cu apă caldă.

8.2 ALTE SFATURI DE CURĂȚARE

- Nu folosiți agenți de curățare de uz casnic puternici, amoniac sau substanțe abrazive în timp ce curățați storcătorul lent.
- Curățarea storcătorului lent imediat după fiecare utilizare va ajuta, de asemenea, pentru a reduce petele de pe bol sau părțile superioare.

9. DEPANARE

PROBLEMA	SOLUȚIA
Aparatul nu pornește	<ul style="list-style-type: none">• Verificați cablul de alimentare și sursa de alimentare.• Verificați dacă toate piesele au fost asamblate corect.
Aparatul se blochează sau se oprește din funcționare	<ul style="list-style-type: none">• Verificați dacă jgheabul este curat și nu este blocat.• Verificați dacă semințele tari au fost eliminate înainte de stoarcere și nu sunt blocate în aparat.• Opriti aparatul și porniți pentru a inversa timp de 3 secunde.• Dezasamblați secțiunea superioară și curățați pulpa rămasă.
Aparatul scoate zgomote când stoarce	<ul style="list-style-type: none">• Sunetul este perfect normal. Vă rugăm să rețineți, nu operați storcătorul fără produse în el.
Există scurgeri de sub bol	<ul style="list-style-type: none">• Asigurați-vă că stratul de silicon este strâns în loc după curățare.
Deteriorarea filtrului	<ul style="list-style-type: none">• A se consulta instrucțiunile de operare pentru o utilizare corectă și sfaturi pentru stoarcere.• Amintiți-vă să nu îndesați alimente sau să forțați alimente în storcătorul lent.
Se extrage prea multă pulpă	<ul style="list-style-type: none">• Tăiați produsele în bucăți mai mici, în special alimentele fibroase, pentru a evita dezmembrarea fibrelor în jurul melcului. Introduceți produse alimentare într-un ritm mai lent și permiteți extragerea pulpei din unitate înainte de a adăuga mai mult.
Bolul este blocat și nu se desprinde de bază	<ul style="list-style-type: none">• Acest lucru este de obicei cauzat de excesul de alimente din bol.• Apăsăți butonul inversare timp de 3-5 secunde. Repetați procesul de 2-3 ori.• Apoi, împingeți în sus bolul în timp ce rotiți.
Jgheabul/capacul este blocat	<ul style="list-style-type: none">• Apăsăți butonul inversare timp de 3-5 secunde. Repetați procesul de 2-3 ori, apoi puteți apăsa în jos partea de sus a capacului în timp ce rotiți.



10. GARANȚIE

Orice defecțiune care afectează funcționarea aparatului apărută la mai puțin de un an de la cumpărarea acestuia va fi remediată prin reparație sau înlocuire gratuită, cu condiția ca aparatul să fi fost folosit și întreținut conform instrucțiunilor nu să nu fi fost bruscat sau folosit necorespunzător în vreun fel. Drepturile dumneavoastră legale nu sunt afec-

tate. Dacă aparatul este în garanție, menționați când și de unde a fost cumpărat și includeți dovada cumpărării (de ex. chitanța).

Conform politicii noastre de dezvoltare continuă a produsului, ne rezervăm dreptul de a modifica produsul, ambalajul și documentația fără notificare.

11. ELIMINAREA ȘI MEDIUL ÎNCONJURĂTOR

La sfârșitul vieții aparatului, vă rugăm să-l eliminați conform regulamentelor și instrucțiunilor aplicabile în acel moment.

Aruncați ambalajul (plastic sau carton) în recipiențele corespunzătoare.



СОДЕРЖАНИЕ

1. ПРЕИМУЩЕСТВА МЕДЛЕННОГО ОТЖИМА СОКА ..87	87
2. ОБЩИЕ ПРАВИЛА ТЕХНИКИ БЕЗОПАСНОСТИ87	87
3. ТЕХНИЧЕСКИЕ ДАННЫЕ.....90	90
4. ЭЛЕМЕНТЫ ШНЕКОВОЙ СОКОВЫЖИМАЛКИ91	91
5. ЗАПУСК УСТРОЙСТВА92	92
6. ИСПОЛЬЗОВАНИЕ СОКОВЫЖИМАЛКИ94	94
7. РЕКОМЕНДАЦИИ95	95
8. ЧИСТКА95	95
9. УСТРАНЕНИЕ НЕИСПРАВНОСТЕЙ.....96	96
10. ГАРАНТИЯ97	97
11. СПИСАНИЕ С ЭКСПЛУАТАЦИИ. ЗАЩИТА ОКРУЖАЮЩЕЙ СРЕДЫ97	97

Большое Вам спасибо за то, что Вы купили оборудование фирмы Hendi. Вам следует внимательно прочитать настоящую инструкцию пользователя во избежание повреждения машины в результате неправильной эксплуатации. Особенно рекомендуем ознакомиться с предупреждениями.

1. ПРЕИМУЩЕСТВА МЕДЛЕННОГО ОТЖИМА СОКА

Один стакан сока, полученного в результате медленного отжима, содержит больше фруктов и овощей, чем можно съесть за один раз. При медленном отжиме сок не окисляется и не расслаивается, что позволяет сохранить больше питательных элементов и естественное состояние продуктов питания. Свежий сок, выжатый методом медленного отжима, непосредственно выпитывается в организм, поставляя важные питательные элементы и витамины – организм получает все необходимое для оптимального здоровья. Также можно создавать различные комбинации фруктов и овощей, которые нельзя получить в обычных условиях.

Процесс медленного отжима сока происходит в 2 этапах, в результате которого сок из продук-

тов отжимается двукратно, прежде чем попадет в стакан. Шнек, т.е. главный элемент устройства, равномерно выжимает продукт, не разрывая и не перетирая его, что позволяет получить больше сока.

Шнековая соковыжималка производит свежий питательный сок с большим количеством питательных элементов и витаминов, необходимых для ежедневной работы организма. Кроме того, шнековая соковыжималка экономит электроэнергию, что позволяет ограничить расходы и выделение углекислого газа. Вы почувствуете разницу между соком, купленным в магазине, и свежавыжатым полезным соком с первого глотка.

RU

2. ОБЩИЕ ПРАВИЛА ТЕХНИКИ БЕЗОПАСНОСТИ

- Неправильная эксплуатация и неподходящее использование агрегата может привести к его поломке и поранить оператора.
- Оборудование следует использовать точно по назначению. Производитель не несет ответственности за повреждения, вызванные неправильной эксплуатацией или неправильным обслуживанием оборудования.
- Оборудование и электрическую штепсельную вилку следует держать вдали от воды и прочих жидкостей. Если штепсельная вилка попадет в воду, ее следует тут же вытащить из розетки электропитания и обратиться в службу сертифицированного сервиса для проверки устройства. Несоблюдение данных указаний может повлечь за собой угрозу здоровью и жизни обслуживающего персонала.
- Нельзя снимать кожух без особого разрешения.
- Нельзя класть никаких посторонних предметов вовнутрь агрегата.
- Нельзя касаться мокрыми, или влажными руками штепсельной вилки.



- **Опасность поражения током!** Не следует самостоятельно чинить электроаппаратуру. Любые поломки и неисправности должны устраняться квалифицированным персоналом.
- **Никогда не следует пользоваться поврежденной электроаппаратурой.** Поврежденное устройство нужно отсоединить от электросети и обратиться к продавцу.
- **Предупреждение:** не следует погружать электрических деталей в воду, или иные жидкости. Не омыwać в струе воды.
- Регулярно проверять вилку и провод электропитания на предмет повреждений. Поврежденные вилку или провод передать для ремонта в сервисную точку, или обратиться к квалифицированному электрику во имя предотвращения опасности травм.
- Удостовериться, что провод электропитания не касается острых и горячих предметов; держать электропровод вдали от открытого огня. Для того, чтобы вынуть вилку из розетки всегда нужно тянуть за вилку, а не за электропровод.
- Защитить провод электропитания (удлинитель) от случайного выпадения из розетки. Электропровод прокладывать так, чтобы случайно не зацепиться за него.
- Непрестанно наблюдать за работающей электроаппаратурой.
- **Предупреждение!** Если вилка находится в розетке – это означает, что электроаппаратура считается подключенной к электропитанию.
- Перед тем, как вынуть вилку из розетки, электроаппаратуру следует выключить!
- Никогда нельзя переносить, передвигать электроаппаратуру держа за электропровод.
- Не использовать никаких деталей, аксессуаров, которые не поставляются вместе с этой электроаппаратурой.
- Электроаппаратуру следует подключать исключительно к розетке, в которой имеется напряжение и частоту, указанную на щитке электроаппаратуры.
- Вилку следует вставлять в розетку, расположенную в удобном и легкодоступном месте, так чтобы в случае аварии можно бы ее немедленно вынуть. Для полного обесточивания электроаппаратуры ее следует отсоединить от электропитания; для этого следует вынуть вилку, находящуюся на конце провода электропитания, из розетки.
- Перед тем, как вынуть вилку всегда следует помнить о том, чтобы сначала выключить электроаппаратуру!
- Не следует использовать детали, аксессуары, не рекомендуемые производителем данной электроаппаратуры, т.к. использование таких деталей, аксессу-

аров может создать для пользователя угрозу его здоровью и жизни, а также может привести к поломке электроаппаратуры. Следует всего использовать оригинальные детали, аксессуары.

- Без надлежащего контроля или предварительного обучения эксплуатации оборудования проводимого лицом, отвечающим за безопасную эксплуатацию, оборудованием не могут пользоваться ни дети, ни лица с ограниченными физическими, или психическими возможностями, ни лица, которые не обладают необходимым опытом работы и знаниями в данной области.
- Ни в коем случае нельзя допускать к использованию электроаппаратуры детей.
- Электроаппаратуру следует хранить в месте недоступном для детей.
- Нельзя разрешать детям использовать электроаппаратуру в качестве игрушки.
- Всегда электроаппаратуру следует отсоединить от электропитания, если оставляем ее без надзора, перед монтажом, демонтажем и чисткой.
- Нельзя оставлять работающую электроаппаратуру без надзора.
- Не использовать устройство для переработки слишком твердых продуктов, а также продуктов с волокнистой структурой (напр., ремень).
- Опасность получения ожогов! Не использовать устройство для переработки вареных продуктов, кипящих жидкостей и горячего жира.
- Опасность получения травм! Соблюдать осторожность при работе с острыми ножами, чистке режущих элементов, а также во время чистки устройства.
- Выключить устройство и отключить от сети питания перед заменой насадок/запчастей и элементов, которые находятся в движении во время работы устройства.
- Не использовать устройство непрерывно в течение длительного периода времени для избежания перегрева двигателя. Непрерывная работа не может продолжаться дольше 10 минут. Если корпус сильно нагрелся, дать устройству остыть. Повторно включить устройство только после того, как оно полностью остынет.
- Держать пальцы, волосы, одежду и инструменты на безопасном расстоянии от подвижных элементов устройства.
- Высушить устройство и все аксессуары перед подключением к сети питания, а также перед установкой насадок.
- Не использовать пальцы и другие предметы (напр., лопатку) для проталкивания ингредиентов, находящихся в загрузочной воронке, во время работы устройства. Для этой цели использовать исключительно толкатель.
- Не использовать ложки, лопатки и другие инструменты для вынимания ингредиентов во время работы устройства. Если возникнет необходимость вынуть



что-либо из воронки, сначала обязательно нужно выключить устройство и вынуть вилку из розетки.

Списание с эксплуатации. Защита окружающей среды

Оборудование, изношенное и списанное с эксплуатации следует утилизировать согласно правилам и указаниям, действующим на день снятия с эксплуатации. Материалы упаковки, такие как пластик, картонные коробки, древесина, следует складировать отдельно в соответствующие контейнеры.

3. ТЕХНИЧЕСКИЕ ДАННЫЕ

Модель	221044
Размеры изделия	260x175x(H)545 мм
Обороты	45 об./мин.
Мощность	250 Вт
Частота	50 Гц
Напряжение	230 В
Вес	7,2 кг (нетто)
Класс защиты	КЛАСС I

RU

Производитель и дистрибьютор не несут ответственности за неточности, возникшие в результате опечаток и копирования. Принимая во внимание постоянное развитие и улучшение продукта,

мы оставляем за собой право вносить изменения в продукт, упаковку и документацию без предупреждения.



4. ЭЛЕМЕНТЫ ШНЕКОВОЙ СОКОВЫЖИМАЛКИ



5. ЗАПУСК УСТРОЙСТВА

Шнековая соковыжималка поставляется в собранном виде. Перед первым использованием рекомендуем разобрать устройство и вымыть съемные элементы в теплой воде с мягким моющим средством. Тщательно прополоскать в теплой воде и

высушить. Это позволит устранить загрязнения, которые могли появиться в процессе производства и транспортировки. Никогда не погружать корпус шнековой соковыжималки в воду и другие жидкости.

5.1 СБОРКА

I. Установить чашу в корпус. (Рисунок 1)

а. Убедиться, что чаша плотно прилегает к корпусу устройства.

б. Повернуть чашу по часовой стрелке, чтобы стрелка на чаше сравнялась со стрелкой на корпусе. (Внимание: если чаша неправильно установлена, устройство не включится).

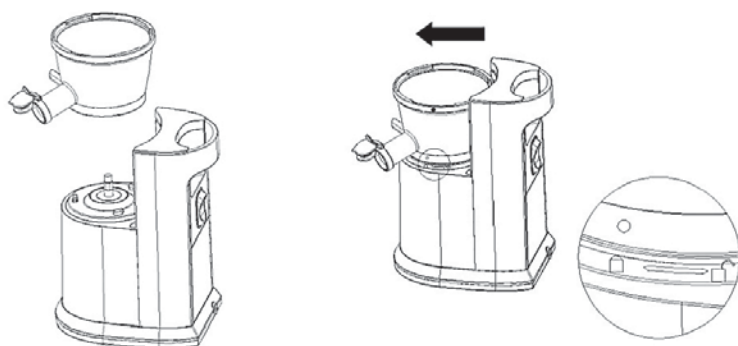


Рис. 1

II. Установить фильтр в обратную корзину в чаше. (Рисунок 2)

а. Убедиться, что углубление фильтра находится в одной линии с красной точкой на чаше.

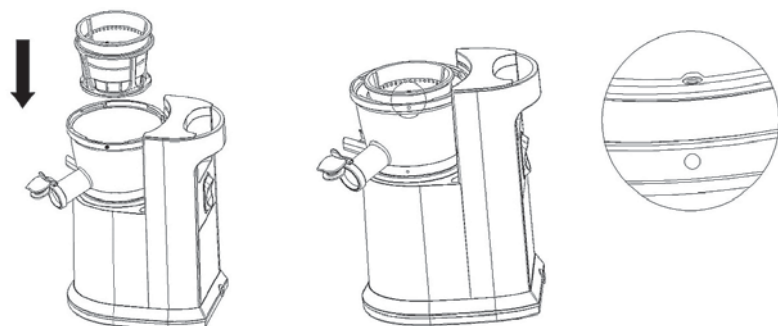


Рис. 2

III. Установить шнек в середину чаши. (Рисунок 3)

а. Повернуть шнек по часовой стрелке и зафиксировать.

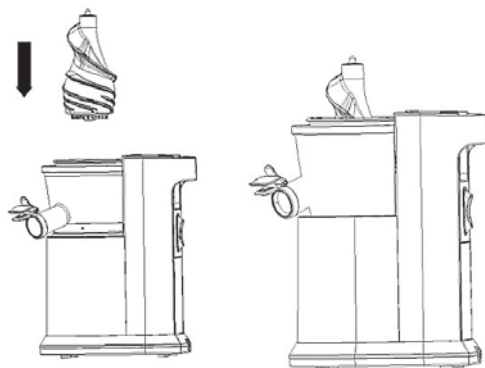


Рис. 3

IV. Снять воронку с чаши.

а. Убедиться, что треугольник на воронке находится в одной линии с символом открытого замка на чаше. (Рисунок 4)

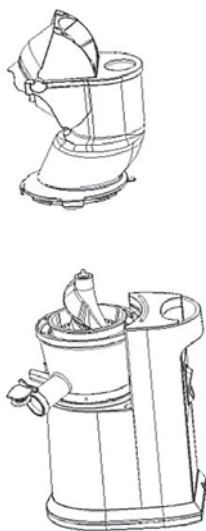


Рис. 4

б. Повернуть воронку по часовой стрелке до полной фиксации.

(Стрелка на воронке будет в одной линии с надписью CLOSED на корпусе. (Рисунок 5)



Рис. 5



6. ИСПОЛЬЗОВАНИЕ СОКОВЫЖИМАЛКИ

1. После правильной сборки устройства подключить провод к соответствующему источнику питания.
2. Установить одну из емкостей под отверстием для выхода жмыха. Под отверстием для выхода сока установить стакан или вторую емкость.
3. Переключатель шнековой соковыжималки имеет 3 положения (Рисунок 6)
 - а. ON - запуск соковыжималки
 - б. 0 - остановка
 - в. R - функция РЕВЕРС = движение шнека в противоположном направлении

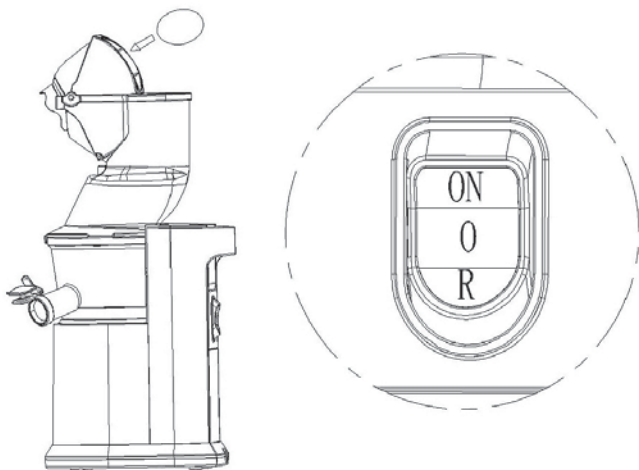


Рис. 6

4. Тщательно вымыть продукты перед загрузкой в шнековую соковыжималку. Мойка не обязательна, если требуется очистка от кожуры. Нарезать продукты на меньшие кусочки, чтобы они поместились в воронку. Рекомендуем кусочки размером не более 7 см. Удалить твердые семена и косточки, напр., из вишни и сливы, т.к. они не будут переработаны и могут повредить шнек.
5. При подаче продуктов через воронку соковыжималки шнек автоматически затягивает их и начинает отжим сока. **ЗАПРЕЩАЕТСЯ подавать слишком много продуктов одновременно и проталкивать их силой.** Толкатель, который поставляется в комплекте с соковыжималкой, использовать только в случае застревания продуктов в воронке.
6. Рекомендуется подавать продукты медленно, чтобы обеспечить полное отделение жмыха овощей и фруктов.
7. Напоминание: после окончания работы выключить соковыжималку. Не запускать соковыжималку без подачи продуктов, это может привести к перегреву двигателя.
8. Шнековая соковыжималка оснащена уникальным режимом очистки при смене вида сока. Для очищения достаточно поместить емкость под отверстием для выхода сока и залить воду в воронку во время работы устройства. Это позволит прополоскать элементы от остатков от предыдущего отжима. Когда вода на выходе станет чистой - это означает, что устройство очистилось и готово к приготовлению следующей порции сока.

ВНИМАНИЕ: Этот процесс не заменяет тщательной очистки всех съемных элементов.

7. РЕКОМЕНДАЦИИ

Необходимо тщательно ознакомиться с инструкцией и придерживаться следующих рекомендаций, т.к. использование шнековой соковыжималки отличается от традиционной соковыжималки.

- Осторожно подавать продукты в воронку. Толкатель, который поставляется в комплекте с соковыжималкой, использовать только в случае застревания продуктов в воронке. Не следует подавать слишком много продуктов одновременно и проталкивать их силой.
- Нарезать продукты на кусочки размером не более 7 см для получения наилучшего результата.
- Для получения наилучшего результата подавать продукты медленно, чтобы обеспечить полное отделение жмыха.

Не подавать слишком много продуктов и не ускорять процесс отжима.

- Не подавать в устройство замороженные продукты и лед.
- Рекомендуем сочетать листовую зелень с различными фруктами.

ВНИМАНИЕ

На дне чаши находится силиконовая прокладка (Рисунок 7), предотвращающая вытекание сока через отверстие для выхода жмыха. Прежде, чем приступить к использованию шнековой соковыжималки, следует убедиться, что силиконовая прокладка правильно установлена и зафиксирована. Во время чистки чаши следует отодвинуть прокладку и прополоскать отверстие для выхода жмыха с целью устранения остатков пищи.

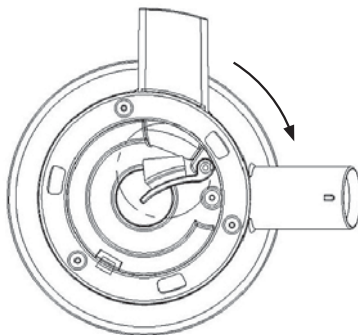


Рис. 7

8. ЧИСТКА

1. Выключить устройство и отключить его от источника питания.
2. Повернуть воронку против часовой стрелки, чтобы его разблокировать.
3. Повернуть чашу против часовой стрелки, чтобы ее разблокировать, затем снять всю группу элементов.
4. Разберите устройство в следующем порядке:
 - а. Воронка
 - б. Шнек
 - в. Фильтр
 - г. Обратная корзина
 - д. Чаша

5. Тщательно вымыть каждый элемент в теплой воде с мягким моющим средством при помощи щетки, которая прилагается в комплекте. Не забыть отодвинуть силиконовую прокладку под чашей с целью устранения остатков жмыха.

Внимание:

- а. Не использовать для чистки абразивные средства и жесткие губки.
 - б. Не полоскать и не погружать корпус шнековой соковыжималки в воду.
 - в. Перед повторным использованием шнековой соковыжималки тщательно высушить все элементы.
6. Рекомендуется ручная чистка всех элементов. Части шнековой соковыжималки запрещается мыть в посудомоечной машине.



8.1 ТРУДНЫЕ ЗАГРЯЗНЕНИЯ

В связи с тем, что каротиноиды, содержащиеся во многих овощах, особенно в моркови, являются сильными красителями, рекомендуется применение **ОДНОГО** из описанных ниже методов чистки:

1. Замочить элементы, окрашенные каротиноидами, в воде с мылом.
2. Чистить теплой водой с яблочным уксусом в равных пропорциях.
3. Замочить в теплой воде с ½ упаковки очищенной соды.
4. Замочить в полной раковине воды с ½ стакана отбеливателя.

8.2 ДРУГИЕ РЕКОМЕНДАЦИИ ПО ЧИСТКЕ

- Для чистки шнековой соковыжималки запрещается использовать сильные и абразивные чистящие средства, и аммиак.
- Чистка шнековой соковыжималки непосредственно после каждого использования поможет избежать появления пятен на чаши и других элементах.

9. УСТРАНЕНИЕ НЕИСПРАВНОСТЕЙ

ПРОБЛЕМА	РЕШЕНИЕ
Устройство не работает	<ul style="list-style-type: none">• Проверить провод и источник питания.• Проверить, правильно ли установлены все элементы.
Устройство заклинило/ забилося или перестало работать	<ul style="list-style-type: none">• Проверить, не заблокирована ли воронка.• Проверить, удалены ли твердые семена и не блокируют ли они устройство.• Выключить устройство и включить функцию обратного хода (PEBEPС) на 3 секунды.• Разобрать устройство и очистить его от жмыха.
В процессе отжима слышен писк	<ul style="list-style-type: none">• Писк является совершенно нормальным. Не следует включать соковыжималку без продуктов внутри.
Вытечка под чашей	<ul style="list-style-type: none">• Убедиться, что после чистки силиконовая прокладка плотно прилегает.
Повреждение фильтра	<ul style="list-style-type: none">• Ознакомиться с инструкцией по эксплуатации устройства и рекомендации по отжиму сока. Не переполнять воронку продуктами и не проталкивать их силой.
Выходит слишком много жмыха	<ul style="list-style-type: none">• Нарезать продукты на меньшие кусочки, особенно волокнистые продукты, волокна которых могут блокировать шнек. Медленнее подавать продукты и подождать пока выйдет весь жмых перед подачей следующей порции.
Чаша заклинилась и не вынимается из корпуса	<ul style="list-style-type: none">• Обычно причиной является слишком большое количество продуктов в чаше. Нажать кнопку обратного хода на 3-5 секунд.• Повторить процесс 2-3 раза. Затем установить чашу поворотным движением.
Заблокирована воронка/ крышка	<ul style="list-style-type: none">• Нажать кнопку обратного хода на 3-5 секунд. Повторить процесс 2-3 раза, затем можно прижать крышку поворотным движением.

10. ГАРАНТИЯ

Любая неподелка или поломка, которая влечет за собой неправильную работу устройства, которая будет выявлена в течение первого года от даты покупки, будет устранена бесплатно, или же все устройство будет заменено новым, если оно эксплуатировалось и обслуживалось согласно инструкции по обслуживанию и не использовалось неправильно, или в разрез с назначением. Данное положение ни в коей мере не нарушает иных прав потребителя, изложенных в законо-

дательстве. В случае заявления устройства в ремонт или на замену в рамках гарантии, следует указать место и дату покупки устройства и приложить счет, или чековую квитанцию.

Согласно нашей политике совершенствования наших продуктов оставляем за собой право на внос изменений в конструкцию, упаковку и в технические параметры, указываемые в технической документации без предупреждения.

11. СПИСАНИЕ С ЭКСПЛУАТАЦИИ. ЗАЩИТА ОКРУЖАЮЩЕЙ СРЕДЫ

Оборудование, изношенное и списанное с эксплуатации следует утилизировать согласно правилам и указаниям, действующим на день снятия с эксплуатации.

Материалы упаковки, такие как пластик, картонные коробки, древесина, следует складировать отдельно в соответствующие контейнеры.





HENDI

Tools for Chefs

Hendi B.V.

Steenoven 21
3911 TX Rhenen, The Netherlands
Tel: +31 (0)317 681 040
Email: info@hendi.eu

PKS Hendi South East Europe SA

5 Metsovou Str.
18346 Moschato, Athens, Greece
Tel: +30 210 4839700
Email: office.greece@hendi.eu

Hendi Polska Sp. z o.o.

ul. Firmowa 12, Robakowo
62-023 Gądkki, Poland
Tel: +48 61 6587000
Email: info@hendi.pl

Hendi HK Ltd.

1208, 12/F Exchange Tower
33 Wang Chiu Road, Kowloon Bay, Hong Kong
Tel: +852 2154 2618
Email: info-hk@hendi.eu

Hendi Food Service Equipment GmbH

Gewerbegebiet Ehring 15
5112 Lamprechtshausen, Austria
Tel: +43 (0) 6274 200 10 0
Email: office.austria@hendi.eu

Find Hendi on internet:

www.hendi.eu
www.facebook.com/HendiToolsforChefs
www.linkedin.com/company/hendi-food-service-equipment-b.v.
www.youtube.com/HendiEquipment

Hendi Food Service Equipment Romania Srl

Str. 13 decembrie 94A, Hala 14
Braşov, 500164, Romania
Tel: +40 268 320330
Email: office@hendi.ro

- Changes, printing and typesetting errors reserved.
- Änderungen und Druckfehler vorbehalten.
- Wijzigingen en drukfouten voorbehouden.
- Producent zastrzega sobie prawo do zmian oraz
błędów drukarskich w instrukcji.
- Variations et fautes d'impression réservés.

- Errori di cambiamenti, di stampa e di impaginazione riservati.
- Drepturi rezervate cu privire la modificări și greșeli de imprimare.
- Изменения, печати и верстки ошибки защищены.
- Με επιφύλαξη αλλαγών, λαθών εκτύπωσης και στοιχειοθεσίας.